

Frequency-Dependent Squeezed Vacuum Source for Broadband Quantum Noise Reduction in Advanced Gravitational-Wave Detectors

Yuhang Zhao^{1,2}, Naoki Aritomi³, Eleonora Capocasa^{1,*}, Matteo Leonardi^{1,†}, Marc Eisenmann⁴, Yuefan Guo⁵, Eleonora Polini⁴, Akihiro Tomura⁶, Koji Arai⁷, Yoichi Aso¹, Yao-Chin Huang⁸, Ray-Kuang Lee⁸, Harald Lück⁹, Osamu Miyakawa¹⁰, Pierre Prat¹¹, Ayaka Shoda¹, Matteo Tacca⁵, Ryutaro Takahashi¹, Henning Vahlbruch⁹, Marco Vardaro^{5,12,13}, Chien-Ming Wu⁸, Matteo Barsuglia¹¹ and Raffaele Flaminio^{4,1}

¹National Astronomical Observatory of Japan, 2-21-1 Osawa, Mitaka, Tokyo, 181-8588, Japan

²The Graduate University for Advanced Studies(SOKENDAI), 2-21-1, Osawa, Mitaka, Tokyo 181-8588, Japan

³Department of Physics, University of Tokyo, 7-3-1 Hongo, Tokyo, 113-0033, Japan

⁴Laboratoire d'Annecy-le-Vieux de Physique des Particules (LAPP), Université Savoie Mont Blanc, CNRS/IN2P3, F-74941 Annecy-le-Vieux, France

⁵Nikhef, Science Park, 1098 XG Amsterdam, Netherlands

⁶The University of Electro-Communications 1-5-1 Chofugaoka, Chofu, Tokyo 182-8585, Japan

⁷LIGO, California Institute of Technology, Pasadena, California 91125, USA

⁸Institute of Photonics Technologies, National Tsing-Hua University, Hsinchu 300, Taiwan

⁹Institut für Gravitationsphysik, Leibniz Universität Hannover and Max-Planck-Institut für Gravitationsphysik (Albert-Einstein-Institut), Callinstr. 38, 30167 Hannover, Germany

¹⁰Institute for Cosmic Ray Research (ICRR), KAGRA Observatory, The University of Tokyo, Kamioka-cho, Gifu City, Gifu 506-1205, Japan

¹¹Université de Paris, CNRS, Astroparticule et Cosmologie, F-75013 Paris, France

¹²Institute for High-Energy Physics, University of Amsterdam, Science Park 904, 1098 XH Amsterdam, Netherlands

¹³Università di Padova, Dipartimento di Fisica e Astronomia, I-35131 Padova, Italy



(Received 23 February 2020; accepted 23 March 2020; published 28 April 2020)

The astrophysical reach of current and future ground-based gravitational-wave detectors is mostly limited by quantum noise, induced by vacuum fluctuations entering the detector output port. The replacement of this ordinary vacuum field with a squeezed vacuum field has proven to be an effective strategy to mitigate such quantum noise and it is currently used in advanced detectors. However, current squeezing cannot improve the noise across the whole spectrum because of the Heisenberg uncertainty principle: when shot noise at high frequencies is reduced, radiation pressure at low frequencies is increased. A broadband quantum noise reduction is possible by using a more complex squeezing source, obtained by reflecting the squeezed vacuum off a Fabry-Perot cavity, known as filter cavity. Here we report the first demonstration of a frequency-dependent squeezed vacuum source able to reduce quantum noise of advanced gravitational-wave detectors in their whole observation bandwidth. The experiment uses a suspended 300-m-long filter cavity, similar to the one planned for KAGRA, Advanced Virgo, and Advanced LIGO, and capable of inducing a rotation of the squeezing ellipse below 100 Hz.

DOI: [10.1103/PhysRevLett.124.171101](https://doi.org/10.1103/PhysRevLett.124.171101)

Introduction.—Gravitational-wave astronomy, started in 2015 with the first detection of a black hole merger by LIGO [1], has rapidly become a mature research field. After the groundbreaking observation of the binary neutron star coalescence GW170817 [2] and the publication of the first gravitational-wave sources catalog [3], the network of advanced interferometric detectors (composed of the two Advanced LIGO [4] and Advanced Virgo [5]) is now performing a third period of data taking (O3), detecting several candidates per month and sending open alerts to the astronomical community [6]. The Japanese detector KAGRA [7] is about to join the network and is expected to be followed by a fifth detector, LIGO India, in 2024 [8].

One of the main limitations to the detector sensitivity is quantum noise, which originates from the quantum nature of light. It manifests itself in two components: quantum shot noise, dominating at high frequencies of the detector spectrum, and quantum radiation pressure noise, dominating at low frequencies. In 1981, Caves clarified that quantum noise is originated by quantum vacuum fluctuations entering the interferometer antisymmetric port [9]. He also suggested that quantum noise could be reduced by replacing ordinary vacuum states with the so-called squeezed vacuum states, whose noise is reshaped in order to reduce it in one quadrature and increase it in the orthogonal one, in accordance with Heisenberg's uncertainty principle. A squeezed

state can be represented in the quadrature plane as an ellipse, characterized by two frequency-dependent parameters: the squeezing magnitude (the ratio of the ellipse axes with respect to the unsqueezed state) and the squeezing angle (the ellipse orientation).

More than 30 years of experimental developments were needed before such technology could be integrated in the detectors [10,11]. Since the beginning of O3, in April 2019, both Advanced Virgo and Advanced LIGO feature a frequency-independent squeezing source which is enhancing their performances [12], bringing an increase in the detection rate of up to 50% [13]. However, the squeezed vacuum currently used in advanced detectors cannot reduce simultaneously both quantum noise components. The increase of radiation pressure noise due to frequency-independent squeezing has been recently observed in both Advanced Virgo and Advanced LIGO [14,15]. The reason is the optomechanical coupling with the suspended test masses, which induces a rotation of the squeeze ellipse by 90° across the frequency spectrum, so that the noise-reduced quadrature cannot be aligned with the gravitational-wave signal at all frequencies [16]. Even if the current degradation of the sensitivity induced at low frequency is barely observable due to the presence of technical noises and to the limited amount of power used, it is expected to become more and more detrimental as the detectors approach their design sensitivity.

A possible solution to reduce quantum noise in the whole spectrum is the injection of frequency-dependent squeezed vacuum, where the squeeze ellipse rotates as a function of frequency, to counteract the rotation induced by the interferometer. Such reduction is optimal if the rotation is at the crossover frequency between the radiation-pressure dominated and the shot-noise dominated regions, around 30–70 Hz for advanced gravitational-wave detectors.

The interaction of a frequency-independent squeezed vacuum state with an optical Fabry-Perot resonator, referred to as filter cavity, is able to induce such rotation of the squeeze ellipse [17]. In the past, squeeze ellipse rotation has been realized in the megahertz [18] and kilohertz [19] regions using rigid, meter-scale filter cavities.

In this Letter, we report the first demonstration of a frequency-dependent squeezed vacuum source able to reduce quantum noise of advanced gravitational-wave detectors in their whole observation bandwidth. The experiment uses a filter cavity capable of rotating the squeezing ellipse below 100 Hz, in the region needed for advanced detectors. The validation of this technology using a 300-m filter cavity is especially significant as KAGRA, Advanced LIGO, and Advanced Virgo all plan to integrate filter cavities of comparable length in the upcoming upgrading phase [20,21].

Concurrent with, and independent of, this work, a similar experiment, carried out in the U.S. with a 16-m filter cavity, shows a 30-Hz rotation frequency and includes a new

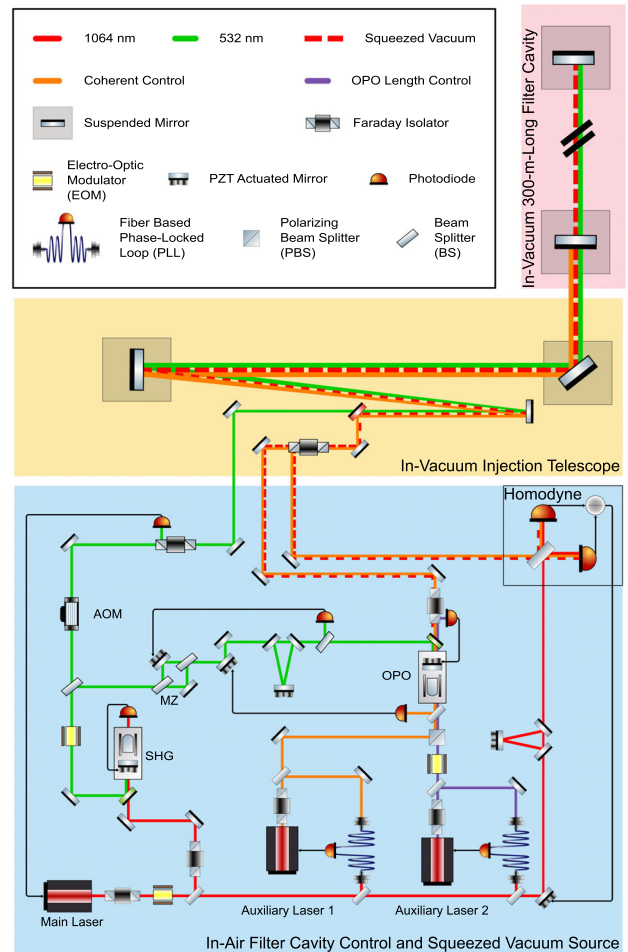


FIG. 1. Schematic diagram of the experimental setup. The squeezed vacuum beam is produced by the OPO and injected into the filter cavity through the in-vacuum injection telescope. The reflected frequency-dependent squeezing is rejected by the in-vacuum Faraday and characterized by the homodyne detector. The green beam produced by the SHG is used to pump the OPO and as auxiliary beam for the control of the filter cavity.

control system, capable of meeting the stringent noise requirements of LIGO and other gravitational-wave detectors [22].

Experimental setup.—The experiment is realized at the National Astronomical Observatory of Japan (NAOJ), using the infrastructure of the former TAMA 300 interferometer [23].

The experimental setup, sketched in Fig. 1, consists of two parts: a source of frequency-independent squeezed vacuum and a suspended filter cavity. The two are connected by an in-vacuum injection system, including suspended mirrors, which couples the squeezing into the filter cavity. A detailed description of the cavity and the injection apparatus can be found in Ref. [24].

Frequency-independent squeezed vacuum source.—The in-air squeezed vacuum source, assembled specifically for this experiment, follows the design of the GEO600

squeezer [25]. The core part is the optical parametric oscillator (OPO): a linear hemilitic cavity hosting a periodically poled potassium titanyl phosphate (PPKTP) crystal in which the squeezed vacuum is produced through a parametric down-conversion process. This requires a pump beam at twice the squeezing frequency, which is produced by injecting a 1064-nm laser into a second harmonic generator cavity (SHG). The main laser, a 2-W 1064-nm Nd:YAG laser, is used to pump the SHG and produce green light (with a wavelength of 532 nm) and as a local oscillator for the balanced homodyne detector [26], used to characterize the squeezing. A mode cleaner cavity and a Mach-Zehnder interferometer (MZ) are installed respectively to spatially clean and to stabilize in power the green pump beam before it enters the OPO. Two auxiliary lasers, frequency offset locked with the main laser, are also used. The first one (AUX1), injected into the OPO with a different polarization with respect to the produced squeezed beam, is used to control the OPO length, which is only resonant for 1064-nm wavelength. The second one (AUX2) is also injected into the OPO and copropagates with the squeezed vacuum beam up to the homodyne detector, to track the squeezing phase and lock it with respect to the local oscillator [27]. Custom analog electronics have been developed to operate the control loops involved in the experiment. An automatic hierarchical control acquisition procedure is also implemented to bring the squeezing source in the working state within a few seconds. A maximum squeezing level of 6.1 ± 0.2 dB below shot noise (and 15.9 ± 0.2 dB of antisqueezing) down to 10 Hz is measured when the squeezed vacuum state is directly sent to the homodyne detector, bypassing the filter cavity.

Filter cavity.—The filter cavity is hosted in one of the 300-m arms of the former TAMA interferometer, and uses the already existing vacuum system. The 10-cm-diameter cavity mirrors are suspended with a double pendulum system [28] placed on a vibration isolation multilayer stack [29], initially developed for TAMA and recommissioned for this experiment. Mirror motion is sensed by optical levers and coil-magnet actuators are used to align the cavity and to damp suspension mechanical resonances [30].

In order to obtain a rotation around 30–70 Hz, a storage time of about 3 ms is needed. This will require either a long cavity or a very high-finesse one. The use of order 100-m-long filter cavities has been envisaged for advanced detectors, as they are more robust to length-dependent sources of squeezing degradation such as cavity losses and residual length noise [31,32]. The frequency at which the rotation takes place depends on the cavity linewidth, which is inversely proportional to its length and finesse. Given the 300-m length of the cavity, the finesse is chosen to be 4400 at 1064-nm wavelength, to provide a squeeze ellipse rotation at approximately 75 Hz, corresponding to an optimal quantum noise reduction for KAGRA [32]. Since cavity losses are a

TABLE I. Summary of the filter cavity parameters. Mirror transmissivity and radius of curvature have been measured at the Laboratoire des Matériaux Avancés (LMA).

Cavity parameter	
Length	300 m
Mirror diameter	10 cm
Input mirror radius of curvature	438 m
End mirror radius of curvature	445 m
Input mirror transmissivity (1064 nm)	0.136%
End mirror transmissivity (1064 nm)	3.9 ppm
Finesse (1064 nm)	4425
Input mirror transmissivity (532 nm)	0.7%
End mirror transmissivity (532 nm)	2.9%
Finesse (532 nm)	172
Beam diameter at waist	1.68 cm
Beam diameter at the mirrors	2.01 cm

major threat to squeezing [31], requirements on the mirror surface quality were first determined by numerical simulations, using realistic mirror maps [32]. After the cavity assembly, round-trip losses were measured in the range of 50–90 ppm, compliant with requirements [24]. The filter cavity parameters are reported in Table I.

Filter cavity control.—The filter cavity is controlled by an auxiliary beam, picked off the green beam produced by the SHG. The cavity finesse for such an auxiliary beam is about 25 times smaller than that of the infrared one, to facilitate the lock acquisition process. The green beam is superposed to the squeezed beam at an in-vacuum dichroic mirror, as shown in Fig. 1. For the initial alignment operation, a pickoff of the main laser is temporarily injected into the OPO, to copropagate with the squeezed vacuum.

The cavity is kept on resonance by acting on the main laser frequency. The error signal is obtained from the reflected green beam, using a Pound-Drever-Hall scheme, and the correction signal, processed with an analog servo, is sent to the Piezoelectric (PZT) actuator of the laser, with a bandwidth of about 20 kHz. An acousto-optic modulator (AOM) is placed on the green beam path prior to injection into the filter cavity. By driving the AOM at different frequencies, it is possible to change the relative frequency of the green and the squeezed beam and thus control the detuning of the latter into the cavity. The cavity is kept aligned with respect to the green beam using an error signal obtained from the transmitted power. Such a signal is generated by dithering the angular position of the cavity mirrors.

Frequency-dependent squeezing measurement.—The frequency-independent squeezed beam is reflected by the cavity, acquiring a frequency dependence. This mechanism is better understood in a sideband picture, where the squeezing angle at each frequency is determined by the relative phase between the upper and lower sidebands [33]. If the cavity is operating at a detuned configuration, the symmetric sidebands experience a differential phase change depending on the cavity dispersion, resulting in a

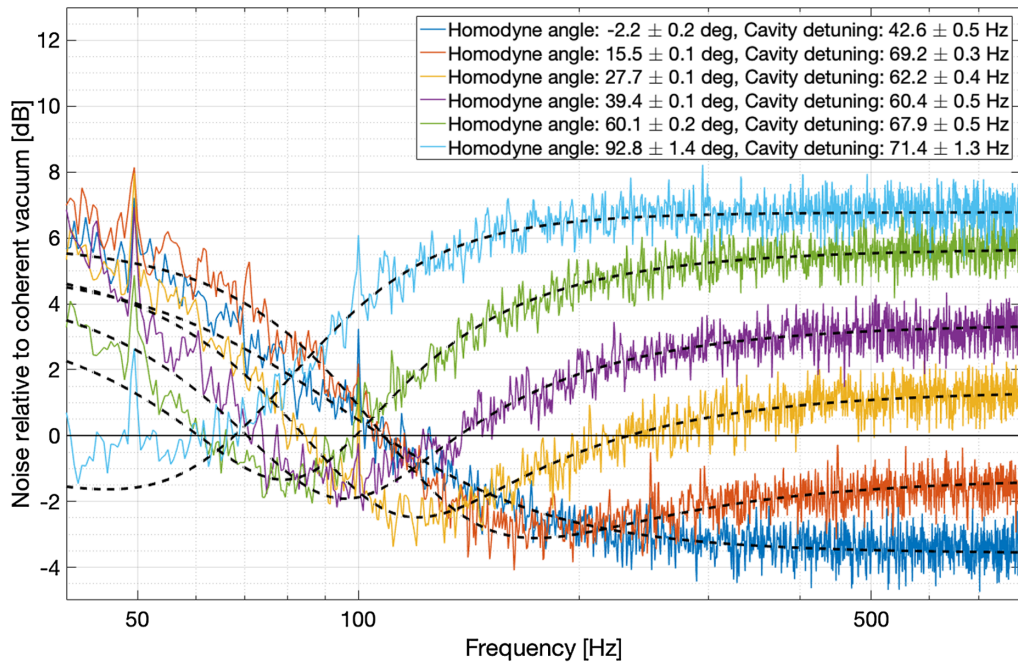


FIG. 2. Noise spectra of the frequency-dependent squeezing, measured for different homodyne angles. Each curve has been fitted, assuming the degradation parameters in Table II, to extract homodyne angle and detuning frequency. The degradation parameters were used to infer the expected quantum noise reduction achievable by injecting such frequency-dependent squeezed state into a detector with the proper shot-noise–radiation-pressure crossover frequency. Each spectrum has a 0.5-Hz resolution and is averaged 100 times, resulting in an acquisition time of 200 s.

rotation of the squeeze ellipse in the quadrature plane. The relation between cavity linewidth and optimal detuning at which the cavity should be operated to obtain the desired 90° rotation has been derived in Ref. [31].

The frequency-dependent squeezed beam reflected by the cavity is sent to the balanced homodyne detector used to characterize the squeezed state. The relative phase between the squeezed beam and the homodyne local oscillator determines the direction onto which the squeezing ellipse is projected. Figure 2 shows the measured noise spectra, normalized with respect to the nonsqueezed vacuum shot noise, for different homodyne angles. A squeezing level of 3.4 ± 0.4 dB above the rotation frequency was measured, along with a squeezing level of at least 1 dB at the rotation frequency and below. In this frequency range, a lower squeezing level is expected due to two degradation mechanisms: first, the squeezing sidebands at frequencies inside the cavity bandwidth experience additional losses due to the filter cavity round-trip losses, and second, an additional frequency-dependent phase noise is induced by the residual length noise of the cavity [31].

From the frequency dependence of the spectra it is possible to infer that the rotation of the squeeze ellipse takes place at approximately 90 Hz [34]. The curves are fitted with a model that uses the squeezing degradation parameters previously measured and reported in Table II. Such parameters are the same for every curve, while the detuning and the homodyne angle are fitted for each curve.

Even if it is possible to operate the cavity at the optimal detuning, this parameter was set to have a rotation at a slightly higher frequency than the designed one (about 90 Hz instead of 75 Hz), in order to better resolve the frequency-dependent squeezing spectra in the rotation region, since the spectrum is dominated below ~ 50 Hz by the backscattering noise.

Discussion.—A degradation analysis for the measured frequency-dependent squeezing has been performed, according to the model proposed in Ref. [31]. The squeezing degradation sources have been independently measured and used in the model to fit the curves in Fig. 2. The quantum noise reduction achievable with such a system is shown in Fig. 3, assuming a squeezing angle rotation at 75 Hz, the optimal frequency for KAGRA. This

TABLE II. Squeezing degradation parameters used to fit the frequency-dependent noise curves in Fig. 2.

Squeezing degradation parameter	Value
Filter cavity losses	120 ± 30 ppm
Propagation losses	$36\% \pm 1\%$
Mode-mismatch squeezer-filter cavity	$6\% \pm 1\%$
Mode-mismatch squeezer-local oscillator	$2\% \pm 1\%$
Filter cavity length noise (rms)	6 ± 1 pm
Phase noise	30 ± 5 mrad
Produced squeezing	8.3 ± 0.1 dB

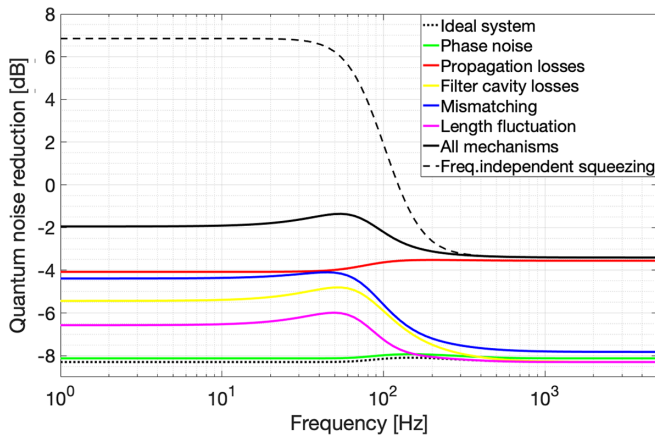


FIG. 3. Estimated degradation budget for the frequency-dependent squeezing source. The black curve shows the expected improvement of the quantum noise for a gravitational-wave detector such as KAGRA. The squeezing degradation parameters used are those reported in Table II. The dashed line shows the change in the quantum noise when injecting a frequency-independent squeezing state (with the same squeezing magnitude of the frequency-dependent case). As expected, quantum noise is reduced at high frequencies, while it highly increased at low frequencies.

curve also assumes a perfect, lossless matching with the interferometer. On the other hand, the loss values used in Fig. 3 are larger than those projected for advanced detectors in the next observation runs (including those due to a nonoptimal coupling between the squeezer and the interferometer). Therefore, the quantum noise reduction expected in advanced detectors is greater than that presented in Fig. 3 [20,21].

Residual alignment fluctuations of the cavity mirrors and mirrors used to inject the beam into the cavity limit the coupling between the squeezed beam and the cavity to 94%. Therefore, a more effective vibration isolation system would improve the performances.

Propagation losses for the squeezed field are dominated by the low OPO escape efficiency ($\sim 92\%$) and by the in-vacuum Faraday isolator loss ($\sim 14\%$ for double pass). Both components are expected to be replaced with components with lower loss. In particular, Faraday isolators with losses below 1% [35] and OPO with escape efficiency as high as 99% [36] have been realized. We expect that the integration of a more performant Faraday isolator and vibration isolation system will also reduce the backscattering which is currently limiting the bandwidth of our measurement to ~ 50 Hz.

Since the cavity is locked and kept aligned with respect to the green auxiliary beam, any relative misalignment of the squeezed beam with respect to the green beam will not be corrected. In fact, a slow drift of the squeezed beam axis with respect to the green one was observed. This limits the long-term operation of the filter cavity. We also observed a correlation between the change in the squeezed beam

alignment condition and detuning. This is suspected to be the source for the detuning change observed between the squeezing spectra of Fig. 2. The mechanisms which couple a variation of the alignment with a detuning change are still under investigation. In order to solve these problems, an alternative strategy which uses the already present coherent control field for both length and angular control is being developed [37]. A similar solution, using an additional beam at nearly the squeezing frequency, has been successfully tested in Ref. [22], for what concerns the length control.

Conclusions.—We have reported the first demonstration of a squeezing source able to reduce quantum noise in the whole spectrum of advanced gravitational-wave detectors.

The rotation of the squeezing ellipse is below 100 Hz, in the region necessary for optimal quantum noise reduction in advanced gravitational-wave detectors. This was achieved using a frequency-independent squeezed vacuum state reflected by a 300-m suspended filter cavity, operating in a detuned configuration. Filter cavities of comparable length are expected to be integrated soon in KAGRA, Advanced LIGO, and Advanced Virgo. As such, the results presented here constitute a key validation for the use of this technology in advanced detectors.

Current limitations to the measured squeezing are well understood, as are the solutions to mitigate them, which should allow us to obtain at least 4 dB of broadband quantum noise reduction [32]. However, the frequency-dependent squeezing source described in this Letter, at the present stage of development, would already allow for a broadband reduction of quantum noise in a detector like KAGRA. Since quantum noise is dominating the design sensitivity above 30 Hz and is anyway comparable with other noise sources below that frequency, the use of frequency-dependent squeezing would result in an overall sensitivity improvement [32].

This result is not only a step toward the implementation of planned upgrades to current gravitational-wave detectors, but also a demonstration of planned technology for use in third-generation detectors such as Einstein Telescope, which features frequency-dependent squeezing with long filter cavities [38].

We thank R. Schnabel, D. Tatsumi, E. Schreiber, L. Pinard, K. Somiya, J. Degallaix, S. R. Wu, Y. Enomoto, L. Trozzo, S. Zeidler, M. Marchiò, N. Hirata, I. Fiori, P. Ruggi, F. Paoletti, C. De Rossi, T. Akutsu, T. Tomaru, E. Majorana, K. Izumi, M. Mantovani, and J. Baird for the useful contributions and discussions. We thank S. Oshino, T. Yamamoto, and Y. Fujii for the help with the digital control system. We thank also the Advanced Technology Center (ATC) of NAOJ for the support. This work was supported by the JSPS Grant-in-Aid for Scientific Research (Grants No. 15H02095 and No. 18H01235), the JSPS Core-to-Core Program, and the EU Horizon 2020 Research and Innovation Programme under the Marie Skłodowska-Curie Grant Agreement No. 734303. N. A. was supported

by JSPS Grant-in-Aid for Scientific Research (Grants No. 18H01224 and No. 18K18763) and JST CREST (Grant No. JPMJCR1873).

*Corresponding author.

eleonora.capocasa@nao.ac.jp

†Corresponding author.

matteo.leonardi@nao.ac.jp

- [1] B. P. Abbott *et al.* (LIGO Scientific Collaboration and Virgo Collaboration), Observation of Gravitational Waves from a Binary Black Hole Merger, *Phys. Rev. Lett.* **116**, 061102 (2016).
- [2] B. P. Abbott *et al.* (LIGO Scientific Collaboration and Virgo Collaboration), GW170817: Observation of Gravitational Waves from a Binary Neutron Star Inspiral, *Phys. Rev. Lett.* **119**, 161101 (2017).
- [3] B. P. Abbott *et al.* (LIGO Scientific Collaboration and Virgo Collaboration), GWTC-1: A Gravitational-Wave Transient Catalog of Compact Binary Mergers Observed by LIGO and Virgo during the First and Second Observing Runs, *Phys. Rev. X* **9**, 031040 (2019).
- [4] J. Aasi *et al.* (LIGO Scientific Collaboration), Advanced LIGO, *Class. Quantum Grav.* **32**, 074001 (2015).
- [5] F. Acernese *et al.* (The Virgo Collaboration), Advanced Virgo: A second-generation interferometric gravitational wave detector, *Classical Quantum Gravity* **32**, 024001 (2015).
- [6] <https://gracedb.ligo.org>.
- [7] Y. Aso, Y. Michimura, K. Somiya, M. Ando, O. Miyakawa, T. Sekiguchi, D. Tatsumi, and H. Yamamoto (The KAGRA Collaboration), Interferometer design of the KAGRA gravitational wave detector, *Phys. Rev. D* **88**, 043007 (2013).
- [8] B. P. Abbott *et al.* (LIGO Scientific, Virgo, and KAGRA Collaborations), Prospects for observing and localizing gravitational-wave transients with Advanced LIGO, Advanced Virgo and KAGRA, *Living Rev. Relativity* **21**, 3 (2018).
- [9] C. M. Caves, Quantum-mechanical noise in an interferometer, *Phys. Rev. D* **23**, 1693 (1981).
- [10] H. Grote, K. Danzmann, K. L. Dooley, R. Schnabel, J. Slutsky, and H. Vahlbruch, First Long-Term Application of Squeezed States of Light in a Gravitational-Wave Observatory, *Phys. Rev. Lett.* **110**, 181101 (2013).
- [11] L. Barsotti, J. Harms, and R. Schnabel, Squeezed vacuum states of light for gravitational wave detectors, *Rep. Prog. Phys.* **82**, 016905 (2018).
- [12] F. Acernese *et al.* (Virgo Collaboration), Increasing the Astrophysical Reach of the Advanced Virgo Detector via the Application of Squeezed Vacuum States of Light, *Phys. Rev. Lett.* **123**, 231108 (2019).
- [13] M. Tse *et al.*, Quantum-Enhanced Advanced LIGO Detectors in the Era of Gravitational-Wave Astronomy, *Phys. Rev. Lett.* **123**, 231107 (2019).
- [14] H. Yu *et al.*, Quantum correlations between the light and kilogram-mass mirrors of LIGO, [arXiv:2002.01519](https://arxiv.org/abs/2002.01519).
- [15] F. Acernese *et al.* (Virgo Collaboration) (to be published).
- [16] M. T. Jaekel and S. Reynaud, Quantum limits in interferometric measurements, *Europhys. Lett.* **13**, 301 (1990).
- [17] H. J. Kimble, Y. Levin, A. B. Matsko, K. S. Thorne, and S. P. Vyatchanin, Conversion of conventional gravitational-wave interferometers into quantum nondemolition interferometers by modifying their input and/or output optics, *Phys. Rev. D* **65**, 022002 (2001).
- [18] S. Chelkowski, H. Vahlbruch, B. Hage, A. Franzen, N. Lastzka, K. Danzmann, and R. Schnabel, Experimental characterization of frequency-dependent squeezed light, *Phys. Rev. A* **71**, 013806 (2005).
- [19] E. Oelker, T. Isogai, J. Miller, M. Tse, L. Barsotti, N. Mavalvala, and M. Evans, Audio-Band Frequency-Dependent Squeezing for Gravitational-Wave Detectors, *Phys. Rev. Lett.* **116**, 041102 (2016).
- [20] L. McCuller and L. Barsotti, Design requirement document of the A+ filter cavity and relay optics for frequency dependent squeezing, <https://dcc.ligo.org/LIGO-T1800447/public>.
- [21] The Virgo Collaboration, Advanced Virgo Plus Phase I—Design Report, <https://tds.virgo-gw.eu/ql/?c=14430>.
- [22] L. McCuller, C. Whittle, D. Ganapathy, K. Komori, M. Tse, A. Fernandez-Galiana, L. Barsotti, P. Fritschel, M. MacInnis, F. Matichard, K. Mason, N. Mavalvala, R. Mittleman, H. Yu, M. E. Zucker, and M. Evans, following Letter, Frequency-Dependent Squeezing for Advanced LIGO, *Phys. Rev. Lett.* **124**, 171102 (2020).
- [23] R. Takahashi and the TAMA Collaboration, Status of TAMA300, *Classical Quantum Gravity* **21**, S403 (2004).
- [24] E. Capocasa, Y. Guo, M. Eisenmann, Y. Zhao, A. Tomura, K. Arai, Y. Aso, M. Marchiò, L. Pinard, P. Prat, K. Somiya, R. Schnabel, M. Tacca, R. Takahashi, D. Tatsumi, M. Leonardi, M. Barsuglia, and R. Flaminio, Measurement of optical losses in a high-finesse 300 m filter cavity for broadband quantum noise reduction in gravitational-wave detectors, *Phys. Rev. D* **98**, 022010 (2018).
- [25] J. Abadie *et al.* (LIGO Scientific and Virgo Collaborations), A gravitational wave observatory operating beyond the quantum shot-noise limit, *Nat. Phys.* **7**, 962 (2011).
- [26] M. Mehmet and H. Vahlbruch, High-efficiency squeezed light generation for gravitational wave detectors, *Classical Quantum Gravity* **36**, 015014 (2018).
- [27] S. Chelkowski, H. Vahlbruch, K. Danzmann, and R. Schnabel, Coherent control of broadband vacuum squeezing, *Phys. Rev. A* **75**, 043814 (2007).
- [28] R. Takahashi and K. Arai, and (the TAMA Collaboration), Improvement of the vibration isolation system for TAMA300, *Classical Quantum Gravity* **19**, 1599 (2002).
- [29] R. Takahashi, F. Kuwahara, E. Majorana, M. A. Barton, T. Uchiyama, K. Kuroda, A. Araya, K. Arai, A. Takamori, M. Ando, K. Tsubono, M. Fukushima, and Y. Saito, Vacuum-compatible vibration isolation stack for an interferometric gravitational wave detector TAMA300, *Rev. Sci. Instrum.* **73**, 2428 (2002).
- [30] E. Capocasa, Optical and noise studies for Advanced Virgo and filter cavities for quantum noise reduction in gravitational-wave interferometric detectors, Ph.D. thesis, Université Paris Diderot, 2017.
- [31] P. Kwee, J. Miller, T. Isogai, L. Barsotti, and M. Evans, Coherence and degradation of squeezed states in quantum filter cavities, *Phys. Rev. D* **90**, 062006 (2014).
- [32] E. Capocasa, M. Barsuglia, J. Degallaix, L. Pinard, N. Straniero, R. Schnabel, K. Somiya, Y. Aso, D. Tatsumi, and R. Flaminio, Estimation of losses in a 300 m filter cavity and quantum noise reduction in the KAGRA gravitational-wave detector, *Phys. Rev. D* **93**, 082004 (2016).

- [33] S. Chelkowski, Squeezed light and laser interferometric gravitational wave detectors, Ph.D. thesis, Universität Hannover, 2007.
- [34] The 90 Hz rotation value corresponds to a filter cavity detuning of about 63 Hz, which is the average of the fitted detuning values of all the spectra shown in Fig. 2.
- [35] E. Genin, M. Mantovani, G. Pillant, C. De Rossi, L. Pinard, C. Michel, M. Gosselin, and J. Casanueva, Vacuum-compatible low-loss Faraday isolator for efficient squeezed-light injection in laser-interferometer-based gravitational-wave detectors, *Appl. Opt.* **57**, 9705 (2018).
- [36] H. Vahlbruch, M. Mehmet, K. Danzmann, and R. Schnabel, Detection of 15 dB Squeezed States of Light and Their Application for the Absolute Calibration of Photoelectric Quantum Efficiency, *Phys. Rev. Lett.* **117**, 110801 (2016).
- [37] N. Aritomi, M. Leonardi, E. Capocasa, Y. Zhao, and R. Flaminio, Control of a filter cavity with coherent control sidebands, [arXiv:2004.01400](https://arxiv.org/abs/2004.01400).
- [38] ET Science Team, ET conceptual design study document, <http://www.et-gw.eu/index.php/etdsdocument>.