

# Nonadditivity of decoherence rates in superconducting qubits

Guido Burkard<sup>1,\*</sup> and Frederico Brito<sup>2,1</sup>

<sup>1</sup>IBM T. J. Watson Research Center, P. O. Box 218, Yorktown Heights, New York 10598, USA

<sup>2</sup>Departamento de Física da Matéria Condensada, Instituto de Física Gleb Wataghin, Universidade Estadual de Campinas, Campinas-SP 13083-970, Brazil

(Received 15 March 2005; revised manuscript received 8 July 2005; published 30 August 2005)

We show that the relaxation and decoherence rates  $T_1^{-1}$  and  $T_2^{-1}$  of a qubit coupled to several noise sources are in general not additive, i.e., that the total rates are not the sums of the rates due to each individual noise source. To demonstrate this, we calculate the relaxation and pure dephasing rates  $T_1^{-1}$  and  $T_\phi^{-1}$  of a superconducting (SC) flux qubit in the Born-Markov approximation in the presence of several circuit impedances  $Z_i$  using network graph theory and determine their deviation from additivity (the mixing term). We find that there is no mixing term in  $T_\phi^{-1}$  and that the mixing terms in  $T_1^{-1}$  and  $T_2^{-1}$  can be positive or negative, leading to reduced or enhanced relaxation and decoherence times  $T_1$  and  $T_2$ . The mixing term due to the circuit inductance  $L$  at the qubit transition frequency  $\omega_{01}$  is generally of second order in  $\omega_{01}L/Z_i$ , but of third order if all impedances  $Z_i$  are pure resistances. We calculate  $T_{1,2}$  for an example of a SC flux qubit coupled to two impedances.

DOI: [10.1103/PhysRevB.72.054528](https://doi.org/10.1103/PhysRevB.72.054528)

PACS number(s): 74.50.+r, 03.67.Pp, 72.70.+m, 85.25.Dq

## I. INTRODUCTION

The loss of quantum coherence and the transition from quantum to classical behavior has been a long-standing fundamental problem.<sup>1,2</sup> More recently, the phenomenon of decoherence has attracted much interest in a new context, because quantum coherence is an essential prerequisite for quantum computation. For some systems that have been proposed as physical realizations of quantum hardware (see, e.g., Ref. 3), there have been extensive studies, both in theory and experiment, of the mechanisms that are causing decoherence. Generally, an open quantum system loses coherence by interacting with a large number of external degrees of freedom (heat bath, environment). It is the physical nature of the environment and the system-environment coupling that distinguishes the various mechanisms of decoherence. It is quite natural that for a given open quantum system there will be *several* distinct decoherence mechanisms. Previous studies have typically tried to identify the strongest source of decoherence, i.e., the one that leads to the shortest relaxation and decoherence times,  $T_1$  and  $T_2$ , and to analyze the corresponding mechanism in order to predict decoherence times. In the presence of several decoherence sources for the same system, the decoherence rates  $T_1^{-1}$  and  $T_2^{-1}$  have usually been quoted separately for each source. Often, it is assumed that the total decoherence or relaxation rate is the sum of the rates corresponding to the various sources (see, e.g., Ref. 4 for the case of superconducting qubits). In the theory of electron scattering in metals, this assumption is also known as Matthiessen's rule.<sup>5</sup> In this paper, we show that the total decoherence and relaxation rates of a quantum system in the presence of several decoherence sources are *not* necessarily the sums of the rates due to each of the mechanisms separately, and that the corrections to additivity (mixing terms) can have both signs. The nonadditivity of decoherence rates has both fundamental and practical importance; superconducting (SC) qubits are typically operated at

*optimal points* where lowest-order decoherence is absent and higher-order (including nonadditive) effects are dominant.

We investigate the decoherence due to several sources in SC flux qubits<sup>6-11</sup> (see Ref. 4 for a review of SC qubits); the general idea of the present analysis may, however, also be applied to other systems, such as SC charge<sup>12,13</sup> and phase<sup>14</sup> qubits. SC flux qubits are small SC circuits that contain Josephson junctions. The differences  $\varphi_i$  of the SC phases across the junctions  $J_i$ , where  $i=1, \dots, n$ , are the relevant quantum degrees of freedom of the system; we denote the quantum operator of these phase differences collectively with the vector  $\boldsymbol{\varphi}=(\varphi_1, \varphi_2, \dots, \varphi_n)$ . The circuit is constructed such that it gives rise to a potential  $U(\boldsymbol{\varphi})$  which forms a double well and therefore can be used to encode one qubit. In our analysis, we will make use of a recently developed circuit theory describing the dissipative dynamics of arbitrary SC flux qubits.<sup>15</sup> Our analysis combines a network graph analysis of the SC circuit<sup>16</sup> with the theory for open quantum systems introduced by Caldeira and Leggett<sup>1</sup> where the dissipative elements (impedances  $Z_i$ ) are represented by a set of baths of harmonic oscillators (an alternative approach to a quantum theory of dissipative electric circuits is to represent impedances as infinite transmission lines<sup>17</sup>).

For concreteness, we demonstrate our theory on the example of the gradiometer qubit with  $n=3$  junctions that is currently under experimental investigation<sup>18</sup> (see Fig. 1). We emphasize, however, that our findings are completely general and apply to arbitrary SC flux qubits. It should also be stressed that the graph representation of a circuit contains all the relevant information about the circuit and, in particular, all the information contained in a regular circuit diagram. We use the graph representation since in addition to the regular equivalent circuit, it also contains the mathematical structure required for a systematic circuit analysis.<sup>15</sup> The qubit is controlled by applying a magnetic flux  $\Phi_c$  to the small loop on the left by driving a current  $I_{B1}$  in a coil next to it, and simultaneously by applying a magnetic flux  $\Phi$  on one side of

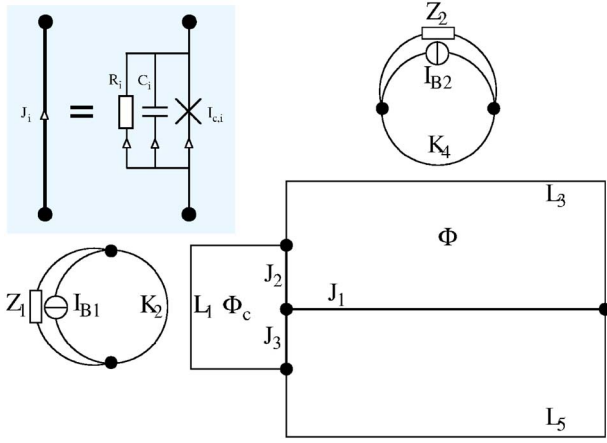


FIG. 1. (Color online) Circuit graph of the gradiometer qubit (Ref. 18) under the influence of noise from two sources  $Z_1$  and  $Z_2$ . Branches of the graph denote Josephson junctions  $J_i$ , inductances  $L_i$  and  $K_i$ , current sources  $I_{B_i}$ , and external impedances  $Z_i$ , are connected by the nodes (black dots) of the graph. Inset: A resistively shunted Josephson junction (RSJ)  $J_i$ , represented by a thick line in the circuit graph, is modeled by an ideal junction (cross) with critical current  $I_{c_i}$ , shunt resistance  $R_i$ , and junction capacitance  $C_i$ .

the gradiometer using  $I_{B2}$ . Real current sources are not ideal, i.e., they are characterized by a finite frequency-dependent impedance  $Z_i(\omega)$ , giving rise to decoherence of the qubit.<sup>19–22</sup> Since the shunt resistances  $R_i$  of the junctions are typically much larger ( $>M\Omega$ ) than the impedances of the current sources (between  $\approx 50\ \Omega$  and  $\approx 10\ \text{k}\Omega$ ), we concentrate in our example on the impedances  $Z_1$  and  $Z_2$  of the two current sources.

Using circuit graph theory, we obtain the classical equations of motion of a general SC circuit in the form [cf. Eqs. (61) and (77) in Ref. 15]

$$\mathbf{C}\ddot{\boldsymbol{\varphi}} = -\frac{\partial U}{\partial \boldsymbol{\varphi}} - \mathbf{M} * \boldsymbol{\varphi}, \quad (1)$$

where  $\mathbf{C}$  is the  $n \times n$  capacitance matrix and  $U(\boldsymbol{\varphi}; I_{B1}, I_{B2})$  is the potential. The dissipation matrix  $\mathbf{M}(t)$  is a real, symmetric, and causal  $n \times n$  matrix, i.e.,  $\mathbf{M}(t)^T = \mathbf{M}(t)$  for all  $t$ , and  $\mathbf{M}(t) = 0$  for  $t < 0$ . The convolution is defined as  $(f * g)(t) = \int_{-\infty}^t f(t-\tau)g(\tau)d\tau$ . Since it is not explicitly used here, we will not further specify  $U$ . The dissipation matrix in the Fourier representation,<sup>23</sup>  $\mathbf{M}(\omega) = \int_0^\infty e^{-i\omega t - \epsilon t} \mathbf{M}(t) dt$ , where  $\epsilon > 0$  has been introduced to ensure convergence (at the end,  $\epsilon \rightarrow 0$ ), can be found from circuit theory [Eq. (64) in Ref. 15] as

$$\mathbf{M}(\omega) = \bar{\mathbf{m}} \bar{\mathbf{L}}_Z(\omega)^{-1} \bar{\mathbf{m}}^T, \quad (2)$$

where  $\bar{\mathbf{m}}$  denotes a real  $n \times n_Z$  matrix that can be obtained from the circuit inductances, and where the  $n_Z \times n_Z$  matrix  $\bar{\mathbf{L}}_Z(\omega)$  has the form

$$\bar{\mathbf{L}}_Z(\omega) = \mathbf{L}_Z(\omega) + \mathbf{L}_c. \quad (3)$$

Here,  $n_Z$  is the number of impedances in the circuit (in our example,  $n_Z = 2$ ) and  $\mathbf{L}_Z(\omega) = \mathbf{Z}(\omega)/i\omega$ , where  $\mathbf{Z}(\omega)$  the im-

pedance matrix. The frequency-independent and real inductance matrix  $\mathbf{L}_c$  can be obtained from the circuit inductances<sup>15</sup> (see the Appendix). Since we start from independent impedances,  $\mathbf{Z}$  and  $\mathbf{L}_Z$  are diagonal. Moreover, note that

$$\text{Im } \bar{\mathbf{L}}_Z^{-1} = \omega \{ \text{Re } \mathbf{Z}(\omega) + \omega^2 \tilde{\mathbf{L}}_c(\omega) [\text{Re } \mathbf{Z}(\omega)]^{-1} \tilde{\mathbf{L}}_c(\omega) \}^{-1}, \quad (4)$$

where  $\tilde{\mathbf{L}}_c(\omega) = \mathbf{L}_c + \text{Im } \mathbf{Z}(\omega)/\omega$ , thus it follows from  $\text{Re } \mathbf{Z} > 0$  that  $\text{Im } \bar{\mathbf{L}}_Z^{-1}$  and  $\text{Im } \mathbf{M}$  are positive matrices.

## II. MULTIDIMENSIONAL CALDEIRA-LEGGETT MODEL

We now construct a Caldeira-Leggett Hamiltonian,<sup>1</sup>  $\mathcal{H} = \mathcal{H}_S + \mathcal{H}_B + \mathcal{H}_{SB}$ , that reproduces the classical dissipative equation of motion, Eq. (1), and that is composed of parts for the system (S), for  $m \geq 1$  harmonic oscillator baths (B), and for the system-bath (SB) coupling,

$$\mathcal{H}_S = \frac{1}{2} \mathbf{Q}^T \mathbf{C}^{-1} \mathbf{Q} + \left( \frac{\Phi_0}{2\pi} \right)^2 U(\boldsymbol{\varphi}), \quad (5)$$

$$\mathcal{H}_B = \sum_{j=1}^m \sum_{\alpha} \left( \frac{p_{\alpha j}^2}{2m_{\alpha j}} + \frac{1}{2} m_{\alpha j} \omega_{\alpha j}^2 x_{\alpha j}^2 \right), \quad (6)$$

$$\mathcal{H}_{SB} = \sum_{\alpha} \boldsymbol{\varphi}^T \mathbf{c}_{\alpha} \mathbf{x}_{\alpha}, \quad (7)$$

where the capacitor charges  $\mathbf{Q}$  are the canonically conjugate momenta corresponding to the Josephson fluxes  $(\Phi_0/2\pi)\boldsymbol{\varphi}$ , where  $\mathbf{x}_{\alpha} = (x_{\alpha 1}, \dots, x_{\alpha m})$ , and  $\mathbf{c}_{\alpha}$  is a real  $n \times m$  matrix. From the classical equations of motion of the system and bath coordinates and by taking the Fourier transform, we obtain Eq. (1), with  $\mathbf{M}(\omega) = (2\pi/\Phi_0)^2 \sum_{\alpha} \mathbf{c}_{\alpha} [\mathbf{m}_{\alpha}(\omega^2 - \omega_{\alpha}^2)]^{-1} \mathbf{c}_{\alpha}^T = \mathbf{M}(\omega)^T$ , where the  $m \times m$  mass and frequency matrices  $\mathbf{m}_{\alpha}$  and  $\boldsymbol{\omega}_{\alpha}$  are diagonal with entries  $m_{\alpha j}$  and  $\omega_{\alpha j}$ . Using the regularization  $\omega \rightarrow \omega - i\epsilon$  when taking Fourier transforms also guarantees that  $\mathbf{M}(t)$  is causal and real.

Defining the spectral density of the environment as the matrix function

$$\mathbf{J}(\omega) = \frac{\pi}{2} \sum_{\alpha} \mathbf{c}_{\alpha} \mathbf{m}_{\alpha}^{-1} \boldsymbol{\omega}_{\alpha}^{-1} \boldsymbol{\delta}(\omega - \boldsymbol{\omega}_{\alpha}) \mathbf{c}_{\alpha}^T, \quad (8)$$

where  $\boldsymbol{\delta}_{ij}(\mathbf{X}) \equiv \boldsymbol{\delta}(\mathbf{X}_{ij})$ , we find the relation

$$\mathbf{J}(\omega) = \left( \frac{\Phi_0}{2\pi} \right)^2 \text{Im } \mathbf{M}(\omega) = \sum_{j=1}^m J_j(\omega) \mathbf{m}_j(\omega) \mathbf{m}_j(\omega)^T, \quad (9)$$

where we have used the spectral decomposition of the real, positive, and symmetric matrix<sup>23</sup>  $\text{Im } \mathbf{M}(\omega)$ , with the eigenvalues  $J_j(\omega) > 0$  and the real and normalized eigenvectors  $\mathbf{m}_j(\omega)$ . The integer  $m \leq n, n_Z$  denotes the maximal rank of  $\text{Im } \mathbf{M}(\omega)$ , i.e.,  $m = \max_{\omega} (\text{rank}[\text{Im } \mathbf{M}(\omega)])$ . Using Eq. (9), and choosing  $c_{\alpha j} = \gamma_{\alpha j} \mathbf{m}_i(\omega_{\alpha j})$ , we find that  $J_j(\omega)$  is the spectral density of the  $j$ th bath of harmonic oscillators in the environment,  $J_j(\omega) = (\pi/2) \sum_{\alpha} (\gamma_{\alpha j}^2 / m_{\alpha j} \omega_{\alpha j}) \boldsymbol{\delta}(\omega - \omega_{\alpha j})$ .

The master equation of the reduced system density matrix  $\rho_S = \text{Tr}_B \rho$  in the Born-Markov approximation, expressed in the eigenbasis  $\{|m\rangle\}$  of  $\mathcal{H}_S$ , yields the Bloch-Redfield equation,<sup>24</sup>  $\dot{\rho}_{nm}(t) = -i\omega_{nm}\rho_{nm}(t) - \sum_{kl} R_{nmkl}\rho_{kl}(t)$ , where  $\rho_{nm} = \langle n|\rho_S|m\rangle$ ,  $\omega_{nm} = \omega_n - \omega_m$ , and  $\omega_m$  is the eigenenergy of  $\mathcal{H}_S$  corresponding to the eigenstate  $|m\rangle$ . The Redfield tensor has the form  $R_{nmkl} = \delta_{lm}\sum_r \Gamma_{nrnk}^{(+)} + \delta_{nk}\sum_r \Gamma_{lrnm}^{(-)} - \Gamma_{lmnk}^{(+)} - \Gamma_{lmnk}^{(-)}$ , with the rates  $\Gamma_{lmnk}^{(+)} = \int_0^\infty dt \exp(-it\omega_{nk}) \text{Tr}_B \tilde{\mathcal{H}}_{SB}(t)_{lm} \tilde{\mathcal{H}}_{SB}(0)_{nk} \rho_B$  and  $(\Gamma_{knml}^{(-)})^* = \Gamma_{lmnk}^{(+)}$ , where  $\tilde{\mathcal{H}}_{SB}(t)_{nm} = \langle n|e^{it\mathcal{H}_B} \mathcal{H}_{SB} e^{-it\mathcal{H}_B}|m\rangle$ . For the system-bath interaction Hamiltonian, Eq. (7), we obtain

$$\begin{aligned} \text{Re } \Gamma_{lmnk}^{(+)} &= \boldsymbol{\varphi}_{lm}^T \mathbf{J}(|\omega_{nk}|) \boldsymbol{\varphi}_{nk} \frac{e^{-\beta\omega_{nk}^2}}{\sinh(\beta|\omega_{nk}|/2)}, \\ \text{Im } \Gamma_{lmnk}^{(+)} &= -\frac{2}{\pi} P \int_0^\infty \frac{\boldsymbol{\varphi}_{lm}^T \mathbf{J}(\omega) \boldsymbol{\varphi}_{nk}}{\omega^2 - \omega_{nk}^2} \left( \omega - \omega_{nk} \coth \frac{\beta\omega}{2} \right), \end{aligned} \quad (10)$$

where  $\boldsymbol{\varphi}_{nk} = \langle n|\boldsymbol{\varphi}|k\rangle$ . For two levels  $n=0,1$ , and within the secular approximation, we can determine the relaxation and decoherence rates  $T_1^{-1}$  and  $T_2^{-1}$  in the Bloch equation as  $T_1^{-1} = 2 \text{Re}(\Gamma_{0110}^{(+)} + \Gamma_{1001}^{(+)})$  and  $T_2^{-1} = (2T_1)^{-1} + T_\phi^{-1}$ , where  $T_\phi^{-1} = \text{Re}(\Gamma_{0000}^{(+)} + \Gamma_{1111}^{(+)} - 2\Gamma_{0011}^{(+)})$  is the pure dephasing rate (cf. Eqs. (121)–(123) in Ref. 15). Using Eq. (10), we find

$$T_1^{-1} = 4\boldsymbol{\varphi}_{01}^\dagger \mathbf{J}(\omega_{01}) \boldsymbol{\varphi}_{01} \coth\left(\frac{\beta\omega_{01}}{2}\right), \quad (11)$$

$$T_\phi^{-1} = \frac{2}{\beta} \lim_{\omega \rightarrow 0} (\boldsymbol{\varphi}_{00} - \boldsymbol{\varphi}_{11})^\dagger \frac{\mathbf{J}(\omega)}{\omega} (\boldsymbol{\varphi}_{00} - \boldsymbol{\varphi}_{11}). \quad (12)$$

With the spectral decomposition, Eq. (9), we obtain

$$T_1^{-1} = 4 \sum_{j=1}^m |\boldsymbol{\varphi}_{01} \cdot \mathbf{m}_j(\omega_{01})|^2 J_j(\omega_{01}) \coth\left(\frac{\beta\omega_{01}}{2}\right), \quad (13)$$

$$T_\phi^{-1} = \frac{2}{\beta} \sum_{j=1}^m |\mathbf{m}_j(0) \cdot (\boldsymbol{\varphi}_{00} - \boldsymbol{\varphi}_{11})|^2 \left. \frac{J_j(\omega)}{\omega} \right|_{\omega \rightarrow 0}. \quad (14)$$

In the last equation, we have used that the limit  $\mathbf{m}_j(0) = \lim_{\omega \rightarrow 0} \mathbf{m}_j(\omega)$  exists because  $|\mathbf{m}_j(\omega)|^2 = 1$  and thus all components of  $\mathbf{m}_j(\omega)$  are bounded.

### III. MIXING TERMS

In the case where  $\mathbf{L}_c$  is diagonal, or if its off-diagonal elements can be neglected because they are much smaller than  $\mathbf{L}_Z(\omega)$  for all frequencies  $\omega$ , we find, using Eq. (3), that the contributions due to different impedances  $Z_i$  are independent, thus  $m = n_Z$  and  $\mathbf{M}(\omega) = \bar{\mathbf{m}} \bar{\mathbf{L}}_Z(\omega)^{-1} \bar{\mathbf{m}}^T = \sum_j \bar{\mathbf{m}}_j \bar{\mathbf{m}}_j^T i\omega / [Z_j(\omega) + i\omega L_{jj}]$ , where  $\mathbf{m}_j = \bar{\mathbf{m}}_j$  is simply the  $j$ th column of the matrix  $\bar{\mathbf{m}}$  and  $L_{jj}$  is the  $j$ th diagonal entry of  $\mathbf{L}_c$ . As a consequence, the total rates  $1/T_1$  and  $1/T_\phi$  are the sums of the individual rates,  $1/T_1^{(j)}$  and  $1/T_\phi^{(j)}$ , where

$$\frac{1}{T_1^{(j)}} = 4 \left( \frac{\Phi_0}{2\pi} \right)^2 |\boldsymbol{\varphi}_{01} \cdot \bar{\mathbf{m}}_j|^2 \text{Re} \frac{\omega_{01} \coth(\beta\omega_{01}/2)}{Z_j(\omega_{01}) + i\omega_{01} L_{jj}}, \quad (15)$$

$$\frac{1}{T_\phi^{(j)}} = \frac{2}{\beta} \left( \frac{\Phi_0}{2\pi} \right)^2 |\bar{\mathbf{m}}_j \cdot (\boldsymbol{\varphi}_{00} - \boldsymbol{\varphi}_{11})|^2 \text{Re} \frac{1}{Z_j(0)}. \quad (16)$$

In general, the situation is more complicated because current fluctuations due to different impedances are mixed by the presence of the circuit. In the regime  $\mathbf{L}_c \ll \mathbf{L}_Z(\omega)$ , we can use Eq. (3) to make the expansion

$$\bar{\mathbf{L}}_Z^{-1} = \mathbf{L}_Z^{-1} - \mathbf{L}_Z^{-1} \mathbf{L}_c \mathbf{L}_Z^{-1} + \mathbf{L}_Z^{-1} \mathbf{L}_c \mathbf{L}_Z^{-1} \mathbf{L}_c \mathbf{L}_Z^{-1} - \dots \quad (17)$$

The series Eq. (17) can be partially resummed,

$$\bar{\mathbf{L}}_Z^{-1}(\omega) = \text{diag} \left( \frac{i\omega}{Z_j(\omega) + i\omega L_{jj}} \right) + \mathbf{L}_{\text{mix}}^{-1}(\omega). \quad (18)$$

The first term in Eq. (18) simply gives rise to the sum of the individual rates, as in Eqs. (15) and (16), while the second term gives rise to mixed terms in the total rates. The rates can therefore be decomposed as ( $X=1, 2, \phi$ )

$$\frac{1}{T_X} = \sum_j \frac{1}{T_X^{(j)}} + \frac{1}{T_X^{(\text{mix})}}. \quad (19)$$

For the mixing term in the relaxation rate, we find

$$\frac{1}{T_1^{(\text{mix})}} = 4 \left( \frac{\Phi_0}{2\pi} \right)^2 \boldsymbol{\varphi}_{01}^\dagger \bar{\mathbf{m}} \text{Im} \mathbf{L}_{\text{mix}}^{-1}(\omega_{01}) \bar{\mathbf{m}}^T \boldsymbol{\varphi}_{01} \coth\left(\frac{\beta\omega_{01}}{2}\right). \quad (20)$$

We can show that there is no mixing term in the pure dephasing rate, i.e.,  $1/T_\phi^{(\text{mix})} = 0$ , and, consequently,  $T_2^{(\text{mix})} = 2T_1^{(\text{mix})}$ . The absence of a mixing term in  $T_\phi$  can be understood as follows. Since the first term in Eq. (17) only contributes to the first term in Eq. (18), the low-frequency asymptotic of  $\text{Im} \mathbf{L}_{\text{mix}}^{-1}(\omega)$  involves only  $\omega^2$  and higher powers of  $\omega$  [it can be assumed that  $Z_i(\omega=0)$  is finite], thus Eq. (12) yields zero in the limit  $\omega \rightarrow 0$ . While  $\text{Im} \bar{\mathbf{L}}_Z^{-1}$  is a positive matrix,  $\text{Im} \mathbf{L}_{\text{mix}}^{-1}$  does not need to be positive, therefore the mixing term  $1/T_1^{(\text{mix})}$  can be both positive or negative. Furthermore, we can show that if  $\mathbf{Z}(\omega)$  is real, only odd powers of  $\omega \mathbf{L}_c \mathbf{Z}^{-1}$  occur, and, in particular, that in this case  $\text{Im} \mathbf{L}_{\text{mix}}^{-1}(\omega) = O(\omega^3)$ , by using Eq. (4) to write  $\mathbf{J}(\omega) \simeq \omega \mathbf{Z}(\omega)^{-1} - \omega^3 \mathbf{Z}(\omega)^{-1} \mathbf{L}_c \mathbf{Z}(\omega)^{-1} \mathbf{L}_c \mathbf{Z}(\omega)^{-1}$ , up to higher orders in  $\omega \mathbf{L}_c \mathbf{Z}(\omega)^{-1}$ .

In the case of two external impedances,  $n_Z=2$ , we can completely resum Eq. (17), with the result

$$\begin{aligned} \mathbf{L}_{\text{mix}}^{-1}(\omega) &= \frac{L_{12}}{[Z_1(\omega)/i\omega + L_{11}][Z_2(\omega)/i\omega + L_{22}] - L_{12}^2} \\ &\quad \times \begin{pmatrix} \frac{L_{12}}{Z_1(\omega)/i\omega + L_{11}} & -1 \\ -1 & \frac{L_{12}}{Z_2(\omega)/i\omega + L_{22}} \end{pmatrix} \\ &\approx -\frac{\omega^2 L_{12}}{Z_1(\omega) Z_2(\omega)} \boldsymbol{\sigma}_x, \end{aligned} \quad (21)$$

where  $L_{ij}$  are the matrix elements of  $\mathbf{L}_c$  and where the approximation in Eq. (21) holds up to  $O(\mathbf{Z}^{-3})$ . In lowest order in  $1/Z_i$ , we find, with  $\boldsymbol{\varphi}_{12} = (\boldsymbol{\varphi}_{01} \cdot \bar{\mathbf{m}}_1)(\boldsymbol{\varphi}_{01} \cdot \bar{\mathbf{m}}_2)$ ,

$$\frac{1}{T_1^{(\text{mix})}} = - \left( \frac{\Phi_0}{2\pi} \right)^2 \text{Im} \frac{8\varphi_{12}\omega_{01}^2 L_{12}}{Z_1(\omega_{01})Z_2(\omega_{01})} \coth\left(\frac{\beta\omega_{01}}{2}\right). \quad (22)$$

If  $R_i \equiv Z_i(\omega_{01})$  are real (pure resistances), then, as predicted above, the imaginary part of the second-order term in Eq. (21) vanishes, and we resort to third order,

$$\text{Im} \mathbf{L}_{\text{mix}}^{-1} = \frac{\omega^3 L_{12}}{R_1 R_2} \begin{pmatrix} \frac{L_{12}}{R_1} & \frac{L_{11}}{R_1} + \frac{L_{22}}{R_2} \\ \frac{L_{11}}{R_1} + \frac{L_{22}}{R_2} & \frac{L_{12}}{R_2} \end{pmatrix}, \quad (23)$$

neglecting terms in  $O(R_j^{-4})$ . If  $L_{12} \ll L_{ij}$ , we obtain  $\text{Im} \mathbf{L}_{\text{mix}}^{-1} \approx (\omega^3 L_{12}/R_1 R_2)(L_{11}/R_1 + L_{22}/R_2)\sigma_x$  and

$$\frac{1}{T_1^{(\text{mix})}} = \left( \frac{\Phi_0}{2\pi} \right)^2 \frac{8\omega_{01}^3 L_{12}}{R_1 R_2} \left( \frac{L_{11}}{R_1} + \frac{L_{22}}{R_2} \right) \varphi_{12} \coth\left(\frac{\beta\omega_{01}}{2}\right). \quad (24)$$

For the gradiometer qubit (Fig. 1) in the regime  $M_{ij} \ll L_k$ , we find from Eqs. (A15)–(A17) that  $L_{12} \approx M_{12}M_{13}M_{34}/L_1L_3$ ,  $L_{11} \approx L_2$ , and  $L_{22} \approx L_4$ , where  $L_k$  denotes the self-inductance of branch  $X_k$  ( $X=L$  or  $K$ ) and  $M_{kl}$  is the mutual inductance between branches  $X_k$  and  $X_l$ . The ratio between the mixing and the single-impedance contribution scales as

$$\frac{1/T_1^{(\text{mix})}}{1/T_1^{(j)}} \approx \frac{\omega_{01}^2 L_{12} L}{R^2}, \quad (25)$$

where we have assumed  $R_1 \approx R_2 \equiv R$ ,  $L_{11} \approx L_{22} \equiv L$ , and  $\varphi_{01} \cdot \bar{\mathbf{m}}_1 \approx \varphi_{01} \cdot \bar{\mathbf{m}}_2$ .

We have calculated  $T_1$  at temperature  $T \ll \hbar\omega_{01}/k_B$  for the circuit Fig. 1, for a critical current  $I_c = 0.3 \mu\text{A}$  for all junctions, and for the inductances  $L_1 = 30 \text{ pH}$ ,  $L_3 = 680 \text{ pH}$ ,  $L_2 = L_4 = 12 \text{ nH}$ ,  $M_{12} \approx \sqrt{L_1 L_2}$ ,  $M_{34} \approx \sqrt{L_3 L_4}$  (strong inductive coupling),  $M_{35} = 6 \text{ pH}$ , with  $\omega_{01}/2\pi = 30 \text{ GHz}$ , and with the impedances  $Z_1 = R$ ,  $Z_2 = R + iR_{\text{im}}$ , where  $R$  and  $R_{\text{im}} = \pm 10 \text{ k}\Omega$  are real ( $R_{\text{im}} > 0$  corresponds to an inductive,  $R_{\text{im}} < 0$  to a capacitive character of  $Z_2$ ). In Fig. 2, we plot  $T_1$  with and without mixing for a fixed value of  $M_{13} = 0.5 \text{ pH}$  and a range of  $R = \text{Re} Z_i$ . In the inset of Fig. 2, we plot  $T_1$  (with mixing) and  $[(T_1^{(1)})^{-1} + (T_1^{(2)})^{-1}]^{-1}$  (without mixing) for  $R = 75 \Omega$  for a range of mutual inductances  $M_{13}$ ; for this plot, we numerically computed the double minima of the potential  $U$  and  $\varphi_{01}$  for each value of  $M_{13}$ . The plots (Fig. 2) clearly show that summing the decoherence rates without taking into account the mixing term can both underestimate or overestimate the relaxation rate  $1/T_1$ , leading to either an over- or underestimate of the relaxation and decoherence times  $T_1$  and  $T_2$ .

#### IV. HIGHER-ORDER TERMS IN THE BORN SERIES

Two series expansions have been made in our analysis, (i) the Born approximation to lowest order in the parameter  $\alpha_B \approx \mu R_Q/Z_i(\omega_{01}) \approx 1/\omega_{01} T_1$ , where  $\mu$  is a dimensionless ratio of inductances [Eq. (74) in Ref. 15] and  $R_Q = h/e^2$  is the

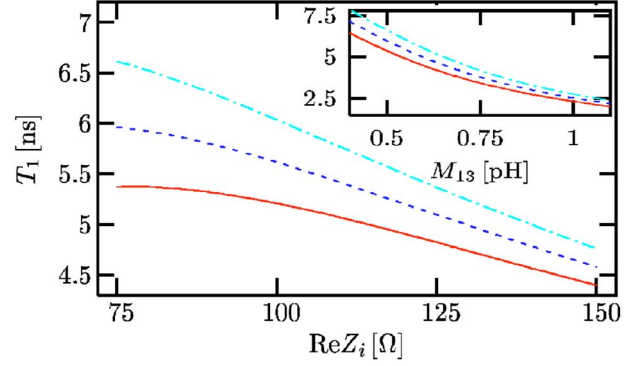


FIG. 2. (Color online) The relaxation rate  $T_1$  without the mixing term [dashed (blue) line] and including the mixing term for  $R_{\text{im}} = +10 \text{ k}\Omega$  [solid (red) line] and  $R_{\text{im}} = -10 \text{ k}\Omega$  [dot-dashed (light blue) line], for  $M_{13} = 0.5 \text{ pH}$  as a function of  $\text{Re} Z_i$ . Inset:  $T_1$  for  $R = \text{Re} Z_i = 75 \Omega$  for a range of mutual inductances  $M_{13}$ .

quantum of resistance, and (ii) the expansion Eq. (17) in the parameter  $\alpha_L \approx \omega_{01} L/Z_i$ , where  $L$  is the inductance of the circuit, where we included higher orders. The question arises whether the terms in the next order in  $\alpha_B$  in the Born approximation could be of comparable magnitude to those taken into account in  $1/T_1^{(\text{mix})}$ . In our example, we could neglect such terms, because  $\alpha_B/\alpha_L \approx 0.001/0.1 = 0.01 \ll 1$ , but in cases where  $\alpha_B \gtrsim \alpha_L$ , higher orders in the Born approximation may have to be taken into account.

#### V. CONCLUSIONS

We have shown that relaxation and decoherence rates  $1/T_1$  and  $1/T_2$  are in general not additive for SC circuits comprising  $n_Z > 1$  (Markovian) impedances  $Z_i(\omega)$ , where  $i = 1, \dots, n_Z$ . For the case of decoherence,  $1/T_2 = 1/2T_1 + 1/T_\phi$ , the nonadditivity arises from the  $T_1$  term; the pure dephasing rate  $1/T_\phi$  is additive. We have quantified the deviation from additivity in the mixing term  $1/T_1^{\text{mix}}$  and found that it is suppressed compared to the individual relaxation rates  $1/T_1^{(j)}$  by a factor of approximately  $\omega_{01}^2 L_{12} L/R^2$ . The mixing term is rather small for typical parameters, but we have shown that for some reasonable set of parameters it can reach 10% of the individual decoherence and relaxation rates. Our finding that the mixing term can have both signs might be used to tailor systems in which the mixing terms lead to an increase rather than a decrease of relaxation and decoherence times. It can be expected that other quantum systems that are exposed to more than one source of decoherence exhibit a similar nonadditivity of decoherence and relaxation rates.

#### ACKNOWLEDGMENTS

We thank David DiVincenzo and Roger Koch for useful discussions. FB would like to acknowledge the hospitality of the Quantum Condensed Matter Theory group at Boston University. FB is supported by Fundação da Amparo à Pesquisa do Estado de São Paulo (FAPESP).

**APPENDIX: FORM OF THE INDUCTANCE MATRIX  $\mathbf{L}_c$** 

The inductance matrix  $\mathbf{L}_c$  is defined in Eq. (3) as

$$\mathbf{L}_c = \bar{\mathbf{L}}_Z - \mathbf{L}_Z, \quad (\text{A1})$$

with the definitions [Eq. (58) in Ref. 15]

$$\bar{\mathbf{L}}_Z = \mathbf{L}_{ZZ} - \mathbf{L}_{ZL} \mathbf{L}_{LL}^{-1} \mathbf{L}_{LZ}, \quad (\text{A2})$$

and [Eqs. (51)–(54) in Ref. 15]

$$\mathbf{L}_{LL} = \bar{\mathbf{L}} + \mathbf{F}_{KL}^T \tilde{\mathbf{L}}_K \bar{\mathbf{F}}_{KL}, \quad (\text{A3})$$

$$\mathbf{L}_{ZZ} = \mathbf{L}_Z + \mathbf{F}_{KZ}^T \tilde{\mathbf{L}}_K \mathbf{F}_{KZ}, \quad (\text{A4})$$

$$\mathbf{L}_{LZ} = \mathbf{F}_{KL}^T \tilde{\mathbf{L}}_K \mathbf{F}_{KZ}, \quad (\text{A5})$$

$$\mathbf{L}_{ZL} = \mathbf{F}_{KZ}^T \tilde{\mathbf{L}}_K \bar{\mathbf{F}}_{KL}. \quad (\text{A6})$$

Since  $\mathbf{L}_Z$ , the only frequency-dependent term in  $\bar{\mathbf{L}}_Z$ , is cancelled in Eq. (A1), we find that  $\mathbf{L}_c$  is frequency independent and takes the form

$$\mathbf{L}_c = \mathbf{F}_{KZ}^T \tilde{\mathbf{L}}_K [\mathbf{F}_{KZ} - \bar{\mathbf{F}}_{KL} (\bar{\mathbf{L}} + \mathbf{F}_{KL}^T \tilde{\mathbf{L}}_K \bar{\mathbf{F}}_{KL})^{-1} \mathbf{F}_{KL}^T \tilde{\mathbf{L}}_K \mathbf{F}_{KZ}]. \quad (\text{A7})$$

The quantities on the rhs of Eq. (A7) are related to the inductance matrix of the circuit

$$\mathbf{L}_t = \begin{pmatrix} \mathbf{L} & \mathbf{L}_{LK} \\ \mathbf{L}_{LK}^T & \mathbf{L}_K \end{pmatrix}, \quad (\text{A8})$$

via the following two identities [Eqs. (41) and (42) in Ref. 15]

$$\tilde{\mathbf{L}}_K = (\mathbf{1}_K - \mathbf{L}_K \bar{\mathbf{F}}_{KL} \mathbf{L}^{-1} \mathbf{L}_{LK} \bar{\mathbf{L}}_K^{-1})^{-1} \mathbf{L}_K, \quad (\text{A9})$$

$$\bar{\mathbf{F}}_{KL} = \mathbf{F}_{KL} - \mathbf{L}_K^{-1} \mathbf{L}_{LK}^T, \quad (\text{A10})$$

where [Eqs. (32) and (33) in Ref. 15]

$$\bar{\mathbf{L}} = \mathbf{L} - \mathbf{L}_{LK} \mathbf{L}_K^{-1} \mathbf{L}_{LK}^T, \quad (\text{A11})$$

$$\bar{\mathbf{L}}_K = \mathbf{L}_K - \mathbf{L}_{LK}^T \mathbf{L}^{-1} \mathbf{L}_{LK} \quad (\text{A12})$$

are the diagonal blocks of the inverse inductance matrix  $\mathbf{L}_t^{-1}$ . The fundamental loop submatrices  $\mathbf{F}_{KL}$  and  $\mathbf{F}_{KZ}$  are obtained from a network graph analysis of the circuit (Ref. 15, Sec. III). The network graph analysis involves the choice of a suitable tree, consisting of all junction capacitors and some minimal set of the inductors of the network graph. The division of circuit inductances into those that lie in the tree (K) and those that do not (L) determines the block structure of the inductance matrix  $\mathbf{L}_t$  in Eq. (A8).

In our example, the gradiometer qubit (see Fig. 1), the inductance matrix is given by

$$\mathbf{L} = \begin{pmatrix} L_1 & M_{13} & M_{15} \\ M_{13} & L_3 & M_{35} \\ M_{15} & M_{35} & L_5 \end{pmatrix}, \quad \mathbf{L}_K = \begin{pmatrix} L_2 & 0 \\ 0 & L_4 \end{pmatrix},$$

$$\mathbf{L}_{LK} = \begin{pmatrix} M_{12} & 0 \\ 0 & M_{34} \\ 0 & 0 \end{pmatrix}, \quad (\text{A13})$$

and for a symmetric circuit, we have  $L_3 = L_5$  and  $M_{13} = M_{15}$ . The relevant loop submatrices are  $\mathbf{F}_{KL} = \mathbf{0}$  and  $\mathbf{F}_{KZ} = -\mathbf{1}$ , which greatly simplifies these general expressions to  $\tilde{\mathbf{L}}_K = \bar{\mathbf{L}}_K$  and finally

$$\mathbf{L}_c = \bar{\mathbf{L}}_K = \begin{pmatrix} L_{11} & L_{12} \\ L_{12} & L_{22} \end{pmatrix}, \quad (\text{A14})$$

with the matrix elements

$$L_{11} = \frac{L_1 L_2 (L_3 + M_{35}) - 2L_2 M_{13}^2 - (L_3 + M_{35}) M_{12}^2}{L_1 (L_3 + M_{35}) - 2M_{13}^2}, \quad (\text{A15})$$

$$L_{22} = \frac{L_1 (L_3^2 L_4 - L_4 M_{35}^2 - L_3 M_{34}^2) - M_{13}^2 (2L_3 L_4 - 2L_4 M_{35} - M_{34}^2)}{(L_1 (L_3 + M_{35}) - 2M_{13}^2) (L_3 - M_{35})}, \quad (\text{A16})$$

$$L_{12} = \frac{M_{13} M_{12} M_{34}}{L_1 (L_3 + M_{35}) - 2M_{13}^2}. \quad (\text{A17})$$

\*Present address: Department of Physics and Astronomy, University of Basel, Klingelbergstrasse 82, CH-4056 Basel, Switzerland.  
<sup>1</sup>A. O. Caldeira and A. J. Leggett, Ann. Phys. (N.Y.) **143**, 374 (1983).

<sup>2</sup>W. H. Zurek, Rev. Mod. Phys. **75**, 715 (2003).

<sup>3</sup>Special issue on *Experimental proposals for Quantum Computation*, Fortschr. Phys. **48** (2000).

<sup>4</sup>Y. Makhlin, G. Schön, and A. Shnirman, Rev. Mod. Phys. **73**,

- 357 (2001).
- <sup>5</sup>N. W. Ashcroft and N. D. Mermin, *Solid State Physics* (Saunders, Philadelphia, 1976).
- <sup>6</sup>J. E. Mooij, T. P. Orlando, L. Levitov, L. Tian, C. H. van der Wal, and S. Lloyd, *Science* **285**, 1036 (1999).
- <sup>7</sup>T. P. Orlando, J. E. Mooij, L. Tian, C. H. van der Wal, L. Levitov, S. Lloyd, and J. J. Mazo, *Phys. Rev. B* **60**, 15398 (1999).
- <sup>8</sup>C. H. van der Wal, A. C. J. ter Har, F. K. Wilhelm, R. N. Schouten, C. J. P. M. Harmans, T. P. Orlando, S. Lloyd, and J. E. Mooij, *Science* **290**, 773 (2000).
- <sup>9</sup>I. Chiorescu, Y. Nakamura, C. J. P. M. Harmans, and J. E. Mooij, *Science* **299**, 1869 (2003).
- <sup>10</sup>J. R. Friedman, V. Patel, W. Chen, S. K. Tolpygo, and J. E. Lukens, *Nature (London)* **406**, 43 (2000).
- <sup>11</sup>R. Koch, J. Kirtley, J. Rozen, J. Sun, G. Keefe, F. Milliken, C. Tsuei, and D. DiVincenzo, *Bull. Am. Phys. Soc.* **48**, 367 (2003).
- <sup>12</sup>Y. Nakamura, Yu. A. Pashkin, and J. S. Tsai, *Nature (London)* **398**, 786 (1999).
- <sup>13</sup>D. Vion, A. Aassime, A. Cottet, P. Joyez, H. Pothier, C. Urbina, D. Esteve, and M. H. Devoret, *Science* **296**, 886 (2002).
- <sup>14</sup>J. M. Martinis, S. Nam, J. Aumentado, and C. Urbina, *Phys. Rev. Lett.* **89**, 117901 (2002).
- <sup>15</sup>G. Burkard, R. H. Koch, and D. P. DiVincenzo, *Phys. Rev. B* **69**, 064503 (2004).
- <sup>16</sup>M. H. Devoret, in *Quantum fluctuations*, lecture notes of the 1995 Les Houches summer school, edited by S. Reynaud, E. Giacobino, and J. Zinn-Justin (Elsevier, Amsterdam, 1997), p. 351.
- <sup>17</sup>B. Yurke and J. S. Denker, *Phys. Rev. A* **29**, 1419 (1984).
- <sup>18</sup>R. Koch *et al.* (unpublished).
- <sup>19</sup>L. Tian, L. S. Levitov, J. E. Mooij, T. P. Orlando, C. H. van der Wal, and S. Lloyd, in *Quantum Mesoscopic Phenomena and Mesoscopic Devices in Microelectronics*, edited by I. O. Kulik and R. Ellialtioglu (Kluwer, Dordrecht, 2000), pp. 429–438; cond-mat/9910062.
- <sup>20</sup>L. Tian, S. Lloyd, and T. P. Orlando, *Phys. Rev. B* **65**, 144516 (2002).
- <sup>21</sup>C. H. van der Wal, F. K. Wilhelm, C. J. P. M. Harmans, and J. E. Mooij, *Eur. Phys. J. B* **31**, 111 (2003).
- <sup>22</sup>F. K. Wilhelm, M. J. Storcz, C. H. van der Wal, C. J. P. M. Harmans, and J. E. Mooij, *Adv. Solid State Phys.* **43**, 763 (2003).
- <sup>23</sup>A number of conclusions about the matrix  $\mathbf{M}(\omega)$  can be made by using the properties of  $\mathbf{M}(t)$ ; (i)  $\mathbf{M}(-\omega)=\mathbf{M}(\omega)^*$ , (ii)  $\mathbf{M}(\omega)$  is symmetric for all  $\omega$ , and (iii)  $\mathbf{M}(\omega)$  is “causal” in the sense that all of its poles lie on the lower half of the complex plane ( $\text{Im } \omega < 0$ ).
- <sup>24</sup>A. G. Redfield, *IBM J. Res. Dev.* **1**, 19 (1957).