

Measurement of ^{87}Rb Rydberg-state hyperfine splitting in a room-temperature vapor cell

Atreju Tauschinsky,* Richard Newell, H. B. van Linden van den Heuvell, and R. J. C. Spreeuw†

Van der Waals-Zeeman Institute, Institute of Physics, University of Amsterdam, PO Box 94485, 1090 GL Amsterdam, The Netherlands

(Received 29 January 2013; published 30 April 2013)

We present direct measurements of the hyperfine splitting of Rydberg states in ^{87}Rb using electromagnetically induced transparency (EIT) spectroscopy in a room-temperature vapor cell. With this method, and in spite of Doppler broadening, linewidths of 3.7 MHz FWHM, i.e., significantly below the intermediate-state natural linewidth, are reached. This allows resolving hyperfine splittings for Rydberg s states with $n = 20, \dots, 24$. With this method we are able to determine Rydberg state hyperfine splittings with an accuracy of approximately 100 kHz. Ultimately, our method allows accuracies of order 5 kHz to be reached. Furthermore, we present a direct measurement of hyperfine-resolved Rydberg-state Stark shifts. These results will be of great value for future experiments relying on excellent knowledge of Rydberg-state energies and polarizabilities.

DOI: [10.1103/PhysRevA.87.042522](https://doi.org/10.1103/PhysRevA.87.042522)

PACS number(s): 32.10.Fn, 32.60.+i, 32.80.Ee, 42.50.Gy

I. INTRODUCTION

Rydberg atoms have recently received a great amount of attention, motivated by their large polarizabilities and strong dipole-dipole coupling. This interest is often stimulated by the suitability of Rydberg atoms to engineer long-range interactions for quantum information processing [1–3] or the investigation of strongly correlated systems [4–6]. The research in ultracold Rydberg atoms has resulted in two landmark experiments demonstrating dipole blockade for two individual atoms [7,8], but also further experiments on mesoscopic ensembles in the blockade regime [9]. Cold ensembles of Rydberg atoms have been used for electrometry [10–13]. Electromagnetically induced transparency (EIT) has also been used to observe Rydberg dipole blockade in cold ensembles of atoms [14–16], and it has been proposed to directly observe dipole blockade using EIT [17,18].

In addition, great progress has also been made exciting Rydberg atoms in room-temperature vapor cells. Indeed, coherent effects have been observed here as well [19–21], and sensitive methods for electric-field measurements in vapor cells [22], as well as an alternative to EIT measurements [23], have been developed.

Excellent knowledge of the spectroscopy of Rydberg states both in the presence and absence of electric fields is crucial for all of these experiments. In particular, Rydberg hyperfine structure may limit the fidelity of quantum gates [24] and undermine coherent evolution. Here we show that high-precision hyperfine spectroscopy of rubidium Rydberg states is possible in a room-temperature vapor cell and investigate the hyperfine splitting for various Rydberg states. We also present hyperfine-resolved measurements of the Rydberg-state polarizability. Previous measurements of the zero-field Rydberg-state hyperfine splitting rely on millimeter-wave transitions in a magneto-optical trap, but the results are less precise than those presented here. Hyperfine-resolved measurements of Rydberg states have previously only been performed in noble gases and (molecular) hydrogen [25].

II. EXPERIMENTAL SETUP

A schematic of the setup is shown in Fig. 1. At the heart of the experiment is a custom-made rubidium vapor cell. The cell is 10 cm long and contains two internal stainless steel electrodes of size $95 \times 20 \text{ mm}^2$ spaced 5.35 (3) mm apart. The electrodes can be connected to a dc power supply and an Agilent 33250A function generator.

We perform EIT spectroscopy in this cell by counter propagating a probe laser resonant with the $5s_{1/2} \rightarrow 5p_{3/2}$ transition of ^{87}Rb and a coupling laser coupling the $5p$ state to a Rydberg state through the cell. The probe laser is derived from a Toptica DL-100 external-cavity diode laser at 780.24 nm frequency-stabilized by saturated-absorption frequency-modulation (FM) spectroscopy in a separate vapor cell to the $F = 2$ to $F' = 2$ hyperfine transition. The coupling laser is derived from a frequency-doubled amplified diode laser system (Toptica TA-SHG Pro) at $\approx 480 \text{ nm}$ and scanned across a Rydberg resonance. Both lasers propagate through the cell parallel to the long axis of the field plates and are overlapped over the entire length of the cell. They are linearly polarized with the polarization axis parallel to the field. The Gaussian beam waists are approximately 0.4 mm for the probe and 1.0 mm for the coupling lasers, with peak intensities of 0.4 mW/cm^2 and 4.3 mW/cm^2 , respectively.

The coupling laser is modulated by a chopper wheel at approximately 4 kHz for lock-in detection of the EIT signal. A reference vapor cell without electric field plates is used to measure and compensate for drifts of the coupling-laser frequency during scans.

III. HYPERFINE STATES

We measure Rydberg-state hyperfine splittings by scanning the coupling laser across a Rydberg resonance by turning the grating of the external-cavity diode laser (ECDL) head of the second-harmonic-generation (SHG) system with the built-in piezo element. The resulting spectrum is shown in Fig. 2 for the $20s$ state. The frequency axis is calibrated by applying a 7 MHz sinusoidally varying voltage to the field plates of the vapor cell, thereby creating sidebands of the state at a well-defined frequency spacing.

*atreju.tauschinsky@uva.nl

†r.j.c.spreeuw@uva.nl

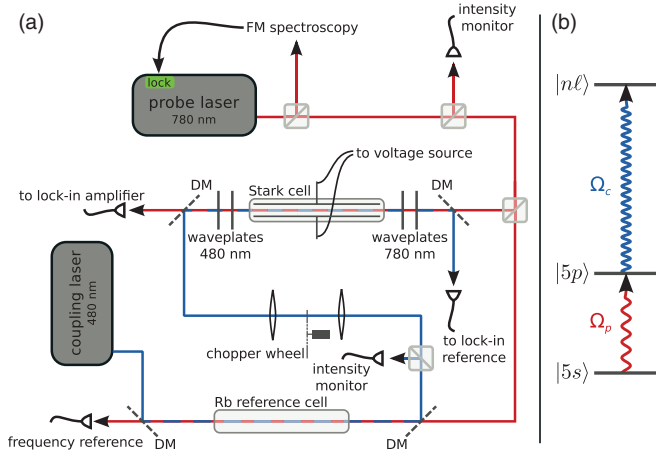


FIG. 1. (Color online) (a) Schematic of setup used in experiments. The probe laser is independently locked to a saturated-absorption frequency-modulation (FM) spectroscopy setup not shown here. The reference cell used to compensate long-term frequency drift was only used for the Stark-map measurements shown in Fig. 4, but not for the hyperfine data presented in Figs. 2 and 3. DM stands for dichroic mirror. (b) Energy-level diagram with the weak probe laser coupling the $5s$ ground to the $5p_{3/2}$ excited state with Rabi frequency Ω_p and the strong-coupling laser connecting the excited state to a Rydberg state with Rabi frequency Ω_c .

We assume the weak-probe limit, i.e., the probe Rabi frequency $\Omega_p \rightarrow 0$, where a model of the form

$$\chi \propto \int_{-\infty}^{\infty} \frac{i}{\gamma_p - i\Delta_p + \frac{\Omega_c^2/4}{\gamma_c - i(\Delta_p + \Delta_c)}} N(v) dv \quad (1)$$

for the susceptibility χ of the probe transition is valid [26]. Here, Ω_c is the coupling Rabi frequency. The probe and coupling detunings depend on the velocity of the atoms

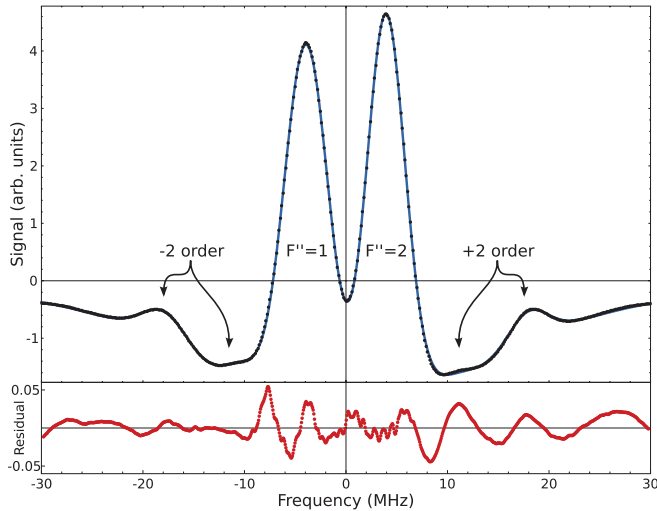


FIG. 2. (Color online) Spectrum of $20s$ hyperfine structure including positive and negative second-order sidebands used for frequency calibration. Blue dots are the average of 860 traces; light-blue line is a fit based on Eq. (1). The lower part of the figure shows the residual of this fit. The field was modulated at 7 MHz. First-order sidebands are not visible because their excitation is dipole forbidden.

through Doppler shifts:

$$\Delta_p = \Delta_p^0 - k_p v, \quad \Delta_c = \Delta_c^0 + k_c v,$$

and γ_p and γ_c are decay rates given by $\gamma_p = \frac{1}{2}\Gamma_{5p}$ and $\gamma_c = \frac{1}{2}\Gamma_r$. Γ_{5p} and Γ_r are the natural decay rates of the excited and Rydberg state, respectively. Any additional broadening effects can be included in γ_c (see below). $N(v)$ is a one-dimensional Maxwell-Boltzmann velocity distribution describing the velocity of the atoms in the vapor cell. The integral over v is equivalent to averaging over all velocity classes that occur in a room-temperature vapor cell and can be solved analytically for a Maxwell-Boltzmann velocity distribution [26].

The imaginary part of χ determines the absorption of the probe laser. We fit the data to an incoherent sum of six peaks of the form (1) after analytic integration as in [26]. Each of the two hyperfine peaks is fit with an independent coupling Rabi frequency, but sidebands share the coupling Rabi frequency of the main peaks. The intermediate-state linewidth is fixed to the literature value: $\gamma_p = 2\pi \times 3.03$ MHz [27]. The excited-state linewidth γ_c is fit to a common value for all peaks. The fixed separation of the sidebands allows us to precisely calibrate the frequency axis and thus extract accurate values for the hyperfine splitting from our data.

Figure 2 shows a spectrum for a Rydberg state $20s$ and the corresponding fit. The data are an average of 860 individual traces, aligned by fitting two Gaussians to the main hyperfine peaks and centering the midpoint between the peaks before averaging. Data and fit are virtually indistinguishable, confirming the quality of our measurements. The linewidth of our features is particularly remarkable: The fit γ_c is typically $2\pi \times 2$ MHz, significantly smaller than the intermediate-state linewidth, even though all measurements are done in a vapor cell at room temperature and with a free-running coupling laser. The observed width of a single hyperfine peak of about $2\pi \times 3.7$ MHz FWHM is, however, still somewhat larger than the limit of $2\pi \times 1.7$ MHz for vanishing γ_c and Ω_c that can be

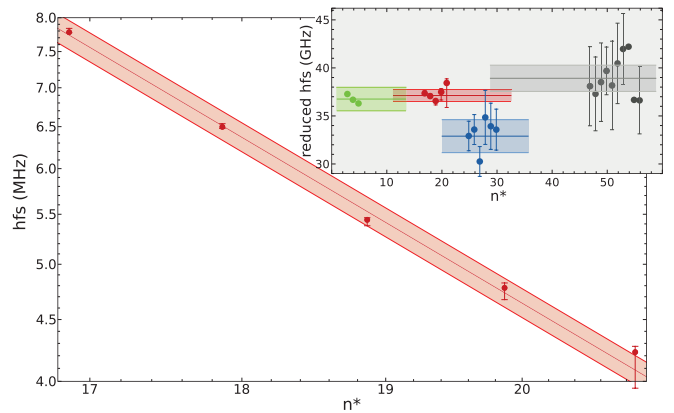


FIG. 3. (Color online) Scaling of hyperfine splitting with effective principal quantum number $n^* = (n - \delta)$, extracted from measurements such as presented in Fig. 2. The solid line is based on a $(n - \delta)^{-3}$ scaling with only the prefactor as fit parameter. The shaded area signifies the 95% confidence region of this fit. The inset shows the same data after removing the $(n - \delta)^{-3}$ scaling in comparison to low- n data from Ref. [29], slightly higher-lying states from Ref. [30], and high- n data from Ref. [31]. Error bars indicated are estimated on the basis of piezo-scan nonlinearity; see text.

TABLE I. Table of measured hyperfine splitting in the range $n = 20, \dots, 24$, as well as fitting error, error derived from piezo nonlinearities, and distance to scaling-law fit, all given in kHz.

n	ν_{hfs}	σ_{fit}	σ_{piezo}	Δ_{scaling}
20	7782	4	$\begin{smallmatrix} +57 \\ -17 \end{smallmatrix}$	-43
21	6497	3	$\begin{smallmatrix} +40 \\ -20 \end{smallmatrix}$	14
22	5442	5	$\begin{smallmatrix} +22 \\ -61 \end{smallmatrix}$	88
23	4780	7	$\begin{smallmatrix} +45 \\ -106 \end{smallmatrix}$	-44
24	4229	9	$\begin{smallmatrix} +47 \\ -281 \end{smallmatrix}$	-142

observed in rubidium at room temperature. This is due to both the finite linewidth of the free-running coupling laser system as well as transit-time broadening due to atoms moving radially in and out of the beam [28], which we estimate at approximately 1 MHz for our beam width.

We perform similar measurements for Rydberg s states with principal quantum numbers $n = 20, \dots, 24$. At $n > 24$ the Doppler-broadened linewidth of the EIT resonance is too large to observe individual peaks. At $n < 20$ the spectral tuning range of our laser system is limited.

The resulting hyperfine splittings are shown in Fig. 3, with our results also listed in Table I. The error bars listed in the table are standard errors obtained from the fit. By separately analyzing 300 individual traces of the $20s$ measurement we find a mean hyperfine splitting of 7.801 MHz with a standard error of the mean of 7.2 kHz, i.e., 19 kHz larger than the results quoted above. As the fitting of the sidebands can be difficult without averaging, we consider the values quoted in Table I to be more reliable.

In addition to this it is worth noting here that nonlinearities in the response of the piezo element used to tune the coupling-laser frequency can, in principle, also skew our results, although this can be minimized by making sure that the observed peaks are not near a turning point of the frequency scan. We estimate the magnitude of this effect by using only either the lower or the upper sidebands for the frequency calibration. We then find a difference of the measured hyperfine splittings for the two cases of between 50 and 300 kHz, with the two highest n showing the largest errors, and the three lower n showing errors of less than 80 kHz. The error bars shown in the figure are based on these results. The nonlinearity in the piezo scan is the biggest uncertainty identified in the frequency calibration.

Our measurements are in excellent agreement with the expected $(n - \delta)^{-3}$ scaling,

$$\nu_{\text{hfs}} = 37.1 (2) \text{ GHz}(n - \delta)^{-3}. \quad (2)$$

Here, δ is the quantum defect of the state, depending on both n and ℓ and taken from Refs. [30,32], leading to an effective principal quantum number $n^* = n - \delta$. The inset of Fig. 3 shows our data together with earlier results using microwave transitions to other Rydberg states from Refs. [30,31] as well as low- n data from Ref. [29] after removing the expected n^* scaling. We see excellent agreement with the low- n data and our measurements are consistent with the high- n data of Ref. [31]. However, we observe an offset of approximately 10% compared to the results of Ref. [30]. The excellent agreement of our measurements with the other

datasets might indicate that this offset is due to systematics in the data of Ref. [30]. The data of Ref. [30] would be in agreement with our measurements assuming an error of 1 in the principal quantum number of their data. An equation for the scaling of the hyperfine splitting based on our data is given in Eq. (2). From this we expect a hyperfine splitting of approximately 80 kHz at $n = 80$, emphasizing the relevance of hyperfine structure for high-precision experiments even at high principal quantum number. A best fit with variable exponent yields a scaling law with a power of $-2.95 (11)$ for our data.

IV. STARK SHIFT OF HYPERFINE STATES

Finally, we present hyperfine-resolved measurements of Stark shifts in fields of up to 130 V/cm for $20s$. The upper part of Fig. 4 shows the overall Stark shift of state $20s$. The three independent lines are due to different $5p_{3/2}$ hyperfine states; while the probe laser is locked to the $F' = 2$ transition, other lines can be shifted into resonance by Doppler shift in the vapor cell. Due to the different wavelengths of the probe- and coupling-laser, these shifts are only partially compensated by the counter-propagating beams; the remaining shifts are expected to be reduced by a factor $\frac{\lambda_c}{\lambda_p} \approx \frac{480}{780}$ compared to the $5p_{3/2}$ hyperfine splittings, in good agreement with our

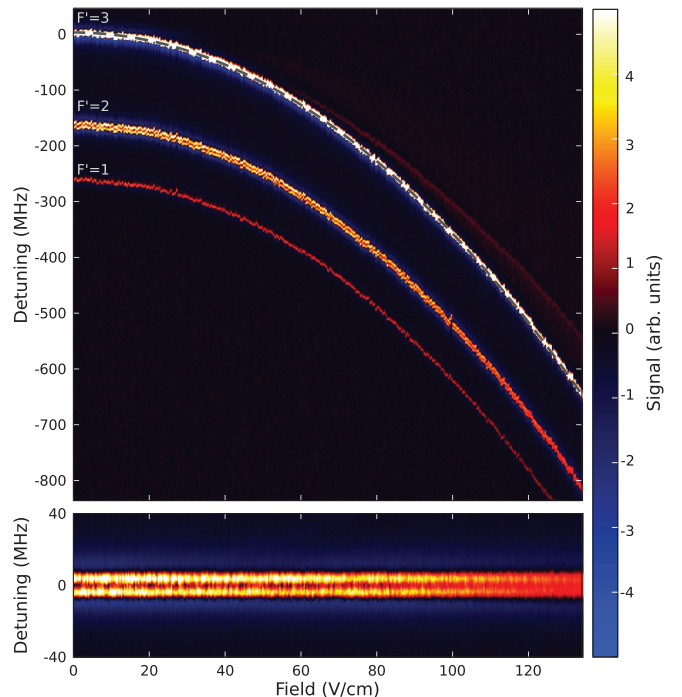


FIG. 4. (Color online) Hyperfine-resolved Stark shifts of $20s$ measured by applying an electric field to the electrodes in the vapor cell. The three lines in the upper part of the figure correspond to the three different hyperfine states $F' = 1, 2, 3$ in the intermediate $5p_{3/2}$ state. The dashed line overlaid with the $F' = 3$ state shows the excellent agreement of the overall Stark shifts with calculations based on the Numerov method [34]. The bottom part of the figure shows the relative shift of the two hyperfine states after removing the overall Stark-shift, clearly indicating that the hyperfine splitting remains constant in an electric field, and no splitting of m_F components is observed.

observations [33]. In the topmost line, no hyperfine splitting is visible, because the excitation of the $F'' = 1$ component of the Rydberg state is dipole forbidden from $5p_{3/2}$ $F' = 3$. In both the $F' = 1$ and $F' = 2$ lines, the hyperfine splitting of the Rydberg state is in principle visible in the individual traces. However, the signal in $F' = 2$ is much stronger than in $F' = 1$, making the splitting almost indiscernible for $F' = 1$ in this plot.

The overall shift of the Rydberg state is in excellent agreement with calculations based on wave functions obtained with the Numerov method [34], as can be seen in the dashed line overlaid with the $F' = 3$ state which has no free parameters. Fitting a parabola to the Stark shift in Fig. 4, we extract a value of $\alpha = 0.0720(8)$ MHz/(V/cm)² from this data, in excellent agreement with the theoretically expected value of $\alpha = 0.0722$ MHz/(V/cm)². The uncertainty in this determination of α is dominated by the accuracy with which the average separation of the electric field plates is known; the uncertainty from the frequency calibration is lower by one order of magnitude.

We attribute the faint line visible above $F' = 3$ to inhomogeneous electric fields at the edges of the cell, in particular in the gap between the electrodes and the cell walls.

The lower part of Fig. 4 shows the hyperfine splitting of the $F' = 2$ line after removing the overall quadratic Stark shift of the state. This has been done by fitting the model of Eq. (1) to each individual trace and aligning the center point between the two peaks across all traces. As can clearly be seen, no further splitting into m_F sublevels occurs for these hyperfine states, and the splitting remains constant across the range of fields presented here. This is in agreement with numerical calculations we have performed. At high fields, a slight broadening of the peaks can be seen. This is compatible with a misalignment of the field plates by approximately 1 mrad, equivalent to 100 μ m difference in plate separation at the edges, which we have observed in earlier measurements of higher-lying states in which the hyperfine splitting is entirely negligible.

V. CONCLUSION

We have presented high-precision measurements of the hyperfine splitting of Rydberg states in ⁸⁷Rb, achieving an accuracy better than 100 kHz even in a room-temperature vapor. This is limited by the nonlinearity of the piezo-electric element used to change the coupling-laser frequency while, in principle, our technique allows an accuracy better than 10 kHz. These measurements obey the expected $(n - \delta)^{-3}$ scaling very well and are in excellent agreement with low- n data such as presented in Ref. [29] as well as high- n data based on Ref. [31]. However, our measurements show a small systematic shift compared to measurements at intermediate n presented in Ref. [30].

We furthermore present hyperfine-resolved measurements of Rydberg-state Stark shifts. These show no change in the hyperfine splitting as the electric field is increased and no further splitting of m_F levels, in agreement with our calculations.

The measurements of the hyperfine splitting presented above show how a resolution far below the Doppler limit is possible for Rydberg-state spectroscopy in room-temperature vapor cells. Using a vapor cell with internal electrodes as described in this paper, this makes high-accuracy Stark spectroscopy extremely simple. This can be of great value for future experiments relying on excellent knowledge of Rydberg-state energies and polarizabilities.

ACKNOWLEDGMENTS

We would like to thank N. J. van Druten for help with the manuscript. This work is part of the research program of the Foundation for Fundamental Research on Matter (FOM), which is part of the Netherlands Organisation for Scientific Research (NWO). We acknowledge support from the EU Marie Curie ITN COHERENCE Network.

-
- [1] D. Jaksch, J. I. Cirac, P. Zoller, S. L. Rolston, R. Cote, and M. D. Lukin, *Phys. Rev. Lett.* **85**, 2208 (2000).
 - [2] M. D. Lukin, M. Fleischhauer, R. Cote, L. M. Duan, D. Jaksch, J. I. Cirac, and P. Zoller, *Phys. Rev. Lett.* **87**, 037901 (2001).
 - [3] M. Müller, I. Lesanovsky, H. Weimer, H. P. Buchler, and P. Zoller, *Phys. Rev. Lett.* **102**, 170502 (2009).
 - [4] N. Henkel, R. Nath, and T. Pohl, *Phys. Rev. Lett.* **104**, 195302 (2010).
 - [5] T. Pohl, E. Demler, and M. D. Lukin, *Phys. Rev. Lett.* **104**, 043002 (2010).
 - [6] P. Schauß *et al.*, *Nature (London)* **490**, 87 (2012).
 - [7] E. Urban *et al.*, *Nat. Phys.* **5**, 110 (2009).
 - [8] A. Gaëtan *et al.*, *Nat. Phys.* **5**, 115 (2009).
 - [9] Y. O. Dudin and A. Kuzmich, *Science* **336**, 887 (2012).
 - [10] A. Tauschinsky, R. M. T. Thijssen, S. Whitlock, H. B. van Linden van den Heuvell, and R. J. C. Spreeuw, *Phys. Rev. A* **81**, 063411 (2010).
 - [11] R. P. Abel, C. Carr, U. Krohn, and C. S. Adams, *Phys. Rev. A* **84**, 023408 (2011).
 - [12] J. D. Carter and J. D. D. Martin, *Phys. Rev. A* **83**, 032902 (2011).
 - [13] H. Hattermann, M. Mack, F. Karlewski, F. Jessen, D. Cano, and J. Fortagh, *Phys. Rev. A* **86**, 022511 (2012).
 - [14] J. D. Pritchard, D. Maxwell, A. Gauguet, K. J. Weatherill, M. P. A. Jones, and C. S. Adams, *Phys. Rev. Lett.* **105**, 193603 (2010).
 - [15] C. S. Hofmann *et al.*, [arXiv:1211.7265](https://arxiv.org/abs/1211.7265).
 - [16] T. Peyronel *et al.*, *Nature (London)* **488**, 57 (2012).
 - [17] G. Günter, M. Robert-de-Saint-Vincent, H. Schempp, C. S. Hofmann, S. Whitlock, and M. Weidemüller, *Phys. Rev. Lett.* **108**, 013002 (2012).
 - [18] B. Olmos, W. Li, S. Hofferberth, and I. Lesanovsky, *Phys. Rev. A* **84**, 041607 (2011).
 - [19] A. K. Mohapatra, T. R. Jackson, and C. S. Adams, *Phys. Rev. Lett.* **98**, 113003 (2007).
 - [20] B. Huber, T. Baluktsian, M. Schlagmüller, A. Kollé, H. Kubler, R. Low, and T. Pfau, *Phys. Rev. Lett.* **107**, 243001 (2011).
 - [21] H. Kübler *et al.*, *Nat. Photonics* **4**, 112 (2010).
 - [22] M. G. Bason *et al.*, *New J. Phys.* **12**, 065015 (2010).
 - [23] D. Barredo, H. Kubler, R. Daschner, R. Löw, and T. Pfau, *Phys. Rev. Lett.* **110**, 123002 (2013).

- [24] T. G. Walker and M. Saffman, in *Advances in Atomic, Molecular, and Optical Physics*, edited by P. Berman, E. Arimondo, and C. Lin (Academic Press, Waltham, 2012), pp. 81–115.
- [25] F. Merkt and A. Osterwalder, *Int. Rev. Phys. Chem.* **21**, 385 (2002).
- [26] J. Gea-Banacloche, Y.-Q. Li, S.-Z. Jin, and M. Xiao, *Phys. Rev. A* **51**, 576 (1995).
- [27] D. A. Steck, **2** (2010), <http://steck.us/alkalidata>.
- [28] J. E. Thomas and W. W. Quivers, *Phys. Rev. A* **22**, 2115 (1980).
- [29] A. Corney, *Atomic and Laser Spectroscopy* (Oxford University Press, Oxford, 1977).
- [30] W. Li, I. Mourachko, M. W. Noel, and T. F. Gallagher, *Phys. Rev. A* **67**, 052502 (2003).
- [31] D. Meschede, *J. Opt. Soc. Am. B* **4**, 413 (1987).
- [32] M. Mack, F. Karlewski, H. Hattermann, S. Hockh, F. Jessen, D. Cano, and J. Fortagh, *Phys. Rev. A* **83**, 052515 (2011).
- [33] A. Sargsyan *et al.*, *Opt. Spectrosc.* **109**, 529 (2010).
- [34] M. L. Zimmerman, M. G. Littman, M. M. Kash, and D. Kleppner, *Phys. Rev. A* **20**, 2251 (1979).