

Strong Einstein-Podolsky-Rosen entanglement from a single squeezed light sourceTobias Eberle,^{1,2} Vitus Händchen,¹ Jörg Duhme,^{2,3} Torsten Franz,³ Reinhard F. Werner,³ and Roman Schnabel^{1,*}¹*Max-Planck-Institut für Gravitationsphysik (Albert-Einstein-Institut) and Institut für Gravitationsphysik der Leibniz Universität Hannover, Callinstraße 38, D-30167 Hannover, Germany*²*Centre for Quantum Engineering and Space-Time Research - QUEST, Leibniz Universität Hannover, Welfengarten 1, D-30167 Hannover, Germany*³*Institut für Theoretische Physik der Leibniz Universität Hannover, Appelstraße 2, D-30167 Hannover, Germany*

(Received 9 March 2011; published 31 May 2011)

Einstein-Podolsky-Rosen (EPR) entanglement is a criterion that is more demanding than just certifying entanglement. We theoretically and experimentally analyze the low-resource generation of bipartite continuous-variable entanglement, as realized by mixing a squeezed mode with a vacuum mode at a balanced beam splitter, i.e., the generation of so-called vacuum-class entanglement. We find that in order to observe EPR entanglement the total optical loss must be smaller than 33.3 %. However, arbitrarily strong EPR entanglement is generally possible with this scheme. We realize continuous-wave squeezed light at 1550 nm with up to 9.9 dB of nonclassical noise reduction, which is the highest value at a telecom wavelength so far. Using two phase-controlled balanced homodyne detectors we observe an EPR covariance product of $0.502 \pm 0.006 < 1$, where 1 is the critical value. We discuss the feasibility of strong Gaussian entanglement and its application for quantum key distribution in a short-distance fiber network.

DOI: [10.1103/PhysRevA.83.052329](https://doi.org/10.1103/PhysRevA.83.052329)

PACS number(s): 03.67.Bg, 03.65.Ud, 03.67.Hk

I. INTRODUCTION

In this paper we explore entanglement in the quadrature measurements on a pair of laser beams. This is a concrete realization of the system considered in 1935 by Einstein, Podolsky, and Rosen (EPR) [1]: a two-mode system with a canonical pair of continuous variables measured on each side, in an overall Gaussian state. It might appear that this system was ill chosen for the investigation of nonclassical features of quantum mechanics. After all, in this situation the Wigner function immediately provides a classical probabilistic model for all measurements involved, and hence no Bell inequality can be violated in this setup. Nevertheless, EPR established some nonclassical features in such a state, for which a quantitative criterion was proposed by Reid [2]. Her criterion, “EPR entanglement,” captures a distinction, which is meaningful also in a broader context and has been called “steering” [3], after another term used by Schrödinger. For our paper it is important that this criterion is more demanding than just establishing entanglement [4]. Moreover, it is applicable without an assumption about the Gaussian nature of the state.

II. BACKGROUND

Following Reid, we call a state EPR entangled if

$$\text{Var}_{A|B}(\hat{X}_A, \hat{X}_B) \text{Var}_{A|B}(\hat{P}_A, \hat{P}_B) < 1, \quad (1)$$

where \hat{X} and \hat{P} are the amplitude quadrature (position) and phase quadrature (momentum) operators, respectively, and $\text{Var}_{A|B}$ denote conditional variances. These are defined as $\text{Var}_{A|B}(\hat{X}_A, \hat{X}_B) = \min_g \text{Var}(\hat{X}_A - g\hat{X}_B)$, where the parameter g is varied to minimize the variance of the

discrepancy of the measured and the inferred outcomes of the measurement.

EPR entangled states were, e.g., generated in [5–9] by type II parametric down-conversion, in [10,11] by type I parametric down-conversion, and in [12] by the optical Kerr effect. In all these experiments the nonclassical resource of the EPR entanglement generation could be described by the interference of two squeezed modes. In the case of type I parametric down-conversion, two squeezed modes were generated in two independent nonlinear cavities and subsequently overlapped on a balanced beam splitter.

In [13,14] it was theoretically shown that an entangled state is generated from a pure single squeezed mode for any nonzero squeezing. EPR entanglement from a single squeezed mode was theoretically analyzed in [15]. However, experimental imperfections such as optical loss were not considered in these works and so far EPR entanglement from a single squeezed mode has not been experimentally demonstrated.

Here we report on the generation of EPR entanglement from the interference of a squeezed mode with a vacuum mode, which we call v-class entanglement [16]. For pure v-class entanglement the variance product (1) is given by

$$\frac{4}{2 + \text{Var}_{\text{asqz}} + \text{Var}_{\text{sqz}}} < 1, \quad (2)$$

where $\text{Var}_{(a)\text{sqz}}$ describes the variance of the (anti)squeezed quadrature of the pure state normalized to the vacuum noise variance. With sufficiently high squeezing this can become arbitrarily small, while the entanglement, as measured by the entropy of a subsystem, diverges. Since just a single squeezed mode is required as the input beam of a balanced beam splitter, the experimental setup is less involved compared to previous experiments. We observe a significant EPR entanglement yielding a value of 0.502 ± 0.006 according to Eq. (1) and discuss the influence of optical loss on our setting.

*Corresponding author; roman.schnabel@aei.mpg.de

For the symmetric situation, i.e., with two equally squeezed states as inputs to a balanced beam splitter (so-called *s-class* entanglement [16]), it is known that EPR entanglement can only be observed if the total optical loss on the state is smaller than 50%, as experimentally demonstrated in Ref. [10]. In the case of *v-class* entanglement and under the assumption of symmetric optical loss, EPR entanglement is observed if

$$(1 - \text{Var}_{\text{sqz}})^2(1 - \mu) \left(\frac{1}{3} - \mu \right) > 0. \quad (3)$$

Here μ describes the total optical loss of the initially pure state. This condition shows that the restriction on the optical loss for *v-class* entanglement is more severe than for *s-class* entanglement. The loss on *v-class* entangled states has to be smaller than 33.3% in order to be able to observe EPR entanglement. In contrast “inseparability” is present in this scheme for any loss $< 100\%$.

III. DEMONSTRATION OF EPR ENTANGLEMENT

Figure 1 shows a schematic of the experimental setup. The quadrature amplitudes of both output beams of the 50 : 50 entanglement beam splitter were detected by means of balanced homodyne detectors (Alice and Bob) consisting of two high quantum efficiency ($> 95\%$) InGaAs photodiodes (PDs) each. The phases of the local oscillators of the homodyne detectors were locked either to the amplitude or to the phase quadrature of the field. The outcomes were recorded simultaneously by a data acquisition system at a sample rate of 500 kHz. For this purpose the signals were mixed down at a frequency of 5 MHz using a double balanced mixer

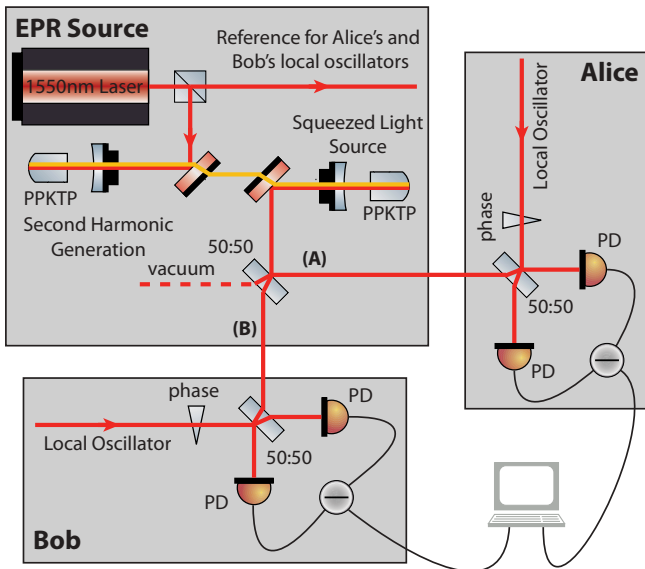


FIG. 1. (Color online) Schematic of the experiment. A continuous-wave laser beam at 1550 nm (red) was frequency doubled (yellow) and used to produce squeezed light at the fundamental wavelength via type I parametric down-conversion. A balanced beam splitter subsequently mixed the squeezed light with a vacuum mode. Amplitude and phase quadrature amplitude measurements on the output beams by means of balanced homodyne detectors proved EPR entanglement among them. PD: photodiode.

and a low-pass filter at 35 kHz which served also as an antialiasing filter for the 16 bit data acquisition system. For each measurement 5×10^6 data points were sampled.

The squeezed light was produced by type I parametric down-conversion in a periodically poled potassium titanyl phosphate (PPKTP) crystal. One end face of the 9.3 mm long crystal was curved with a radius of curvature of 12 mm forming a half-monolithic cavity together with an external coupling mirror with a radius of curvature of 25 mm. The curved end face of the crystal had a high-reflectivity coating for both the fundamental at 1550 nm and the pump at 775 nm, whereas the other end face was coated antireflective. The coupling mirror had a reflectivity of $R = 90\%$ for the fundamental and $R = 20\%$ for the pump and could be actuated by means of a piezoelectric transducer (PZT) to keep the cavity on resonance. The crystal was temperature controlled to 35°C to achieve phase matching.

The main laser source of the experiment was a 1 W fiber laser at 1550 nm. Its beam served as pump for a second harmonic generation, made of PPKTP as well, to generate the 775 nm pump beam required for the squeezed-light source. A small fraction of the main laser beam was filtered by a mode-cleaning ring cavity with a finesse of about 300 and served as the homodyne detector local oscillators.

Figure 2 presents a characterization of our squeezed-light source. For this measurement the entanglement beam splitter was removed and the squeezed field directly characterized by balanced homodyne detection. The graph shows the variance of the squeezed and antisqueezed quadrature relative to the vacuum noise versus the pump power for the nonlinear process, given in decibels. For a pump power of 325 mW we observed 9.9 dB of squeezing and 18.4 dB of antisqueezing. To the best of our knowledge this is the highest squeezing value ever observed at a wavelength of 1550 nm [17,18]. Squeezing levels larger than 10 dB were observed in Refs. [19–21] at 1064 nm.

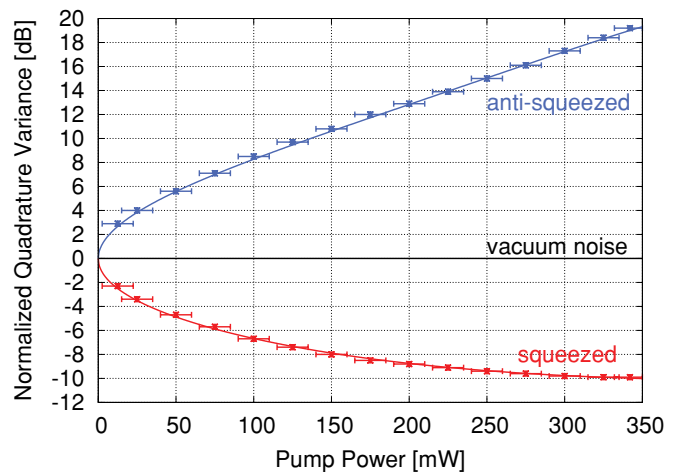


FIG. 2. (Color online) Characterization of our squeezed-light laser at a sideband frequency of 5 MHz. Shown are the vacuum-noise-normalized squeezed and antisqueezed quadrature variances for several light powers of the pump field. The variances were measured by a balanced homodyne detector and averaged ten times. The detector’s dark noise was at -22 dB and therefore irrelevant, and not subtracted from the data. The solid lines show a model for our data according to Eq. (4).

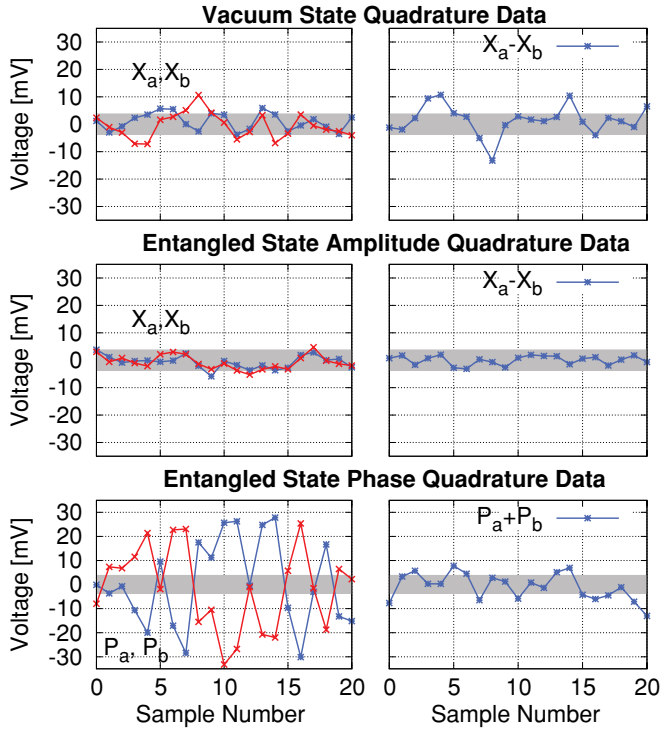


FIG. 3. (Color online) Typical time series of measured quadrature amplitude data. The first row shows the voltages measured by Alice's and Bob's homodyne detector for a vacuum-state input, whereas the lower two are for a v-class entangled state and its amplitude (X) and phase quadrature (P), respectively. The gray areas indicate the standard deviation of the vacuum noise for a single mode.

The solid lines in the figure represent a theoretical model. The squeezed (sqz) and antisqueezed (asqz) quadrature variances of the field can be described as a function of pump power P by [22]

$$\text{Var}_{\text{sqz,asqz}} = 1 \pm \eta\gamma \frac{4\sqrt{P/P_{\text{th}}}}{(1 \mp \sqrt{P/P_{\text{th}}})^2 + 4K(f)^2}, \quad (4)$$

where η is the detection efficiency and γ the escape efficiency of the nonlinear cavity. P_{th} is the threshold power and $K(f) = 2\pi f/\kappa$ the ratio between Fourier frequency $f = 5$ MHz and the cavity decay rate $\kappa = (T + L)c/l$ with the output coupler transmission T , the intracavity loss L , the speed of light in vacuum c , and the cavity round trip length $l = 79.8$ mm. The model fits best with a total optical loss of $1 - \eta\gamma = 0.09$, a threshold power of $P_{\text{th}} = 445$ mW, and $T + L = 0.105$.

The EPR entanglement of the two light fields A and B produced by a single squeezed field overlapped with a vacuum mode was characterized by two homodyne detectors, i.e., the two observers Alice and Bob. They simultaneously took either amplitude quadrature or phase quadrature data. Typical data are shown in Fig. 3. For the measurement in the first row the output of the squeezed-light source was blocked and only vacuum noise was present at both receivers. Hence the difference (and the sum, not shown) shows a standard deviation that is a factor of $\sqrt{2}$ above the vacuum noise. The lower two rows show the measurements on a v-class entangled state. The amplitude quadrature data as well as the phase quadrature data taken at Alice's and Bob's sites show correlations. It is clearly

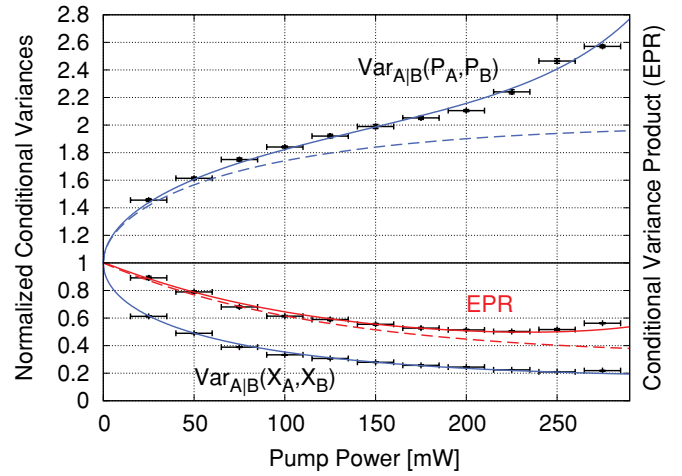


FIG. 4. (Color online) Conditional variances for amplitude and phase quadratures and the EPR criterion calculated from the measured data. The dashed lines represent the theoretical model given by Eq. (4); the solid lines represent the model with additional excess noise. Both models coincide for the conditional variance of the amplitude quadrature.

visible that the fluctuations in the right panels are less than those in the left panels.

Figure 4 shows the conditional variances and their product for the EPR criterion according to Eq. (1). In general, the roles of Alice and Bob are not interconvertible; i.e., EPR entanglement is not a symmetric quantity. Experimentally we found only minor differences in the phase quadrature, which probably originated in asymmetric optical loss. The differences for the EPR entanglement and the X quadrature measurements would not be visible in the figure, so only one direction is plotted. Our best value for the EPR criterion is 0.502 ± 0.006 and was achieved for a pump power of 225 mW. Here we found an entanglement of formation of 1.16 [23]. Given the fact that we used just a single squeezed mode, our result is quite remarkable. To the best of our knowledge only one work reported a stronger EPR entanglement [8], however, based on type II parametric down-conversion and therefore an equivalent of two squeezed input modes. The dashed lines in Fig. 4 represent the predictions from Eq. (4). We observe a considerable difference in the experimental data at higher pump powers. Comparing the data with different noise simulations we can identify excess noise in the (antisqueezed) phase quadrature as the main noise source, shown as a solid line in Fig. 4. This excess noise probably arose due to the nonlinear response of the detectors at high pump powers. Effects of phase noise were only observed marginally and therefore omitted.

IV. DISCUSSION AND OUTLOOK

The high strength of the entanglement generated from just a single squeezed field at 1550 nm is an encouraging result. By replacing the vacuum mode in our setup with a second squeezed mode the entanglement strength will further increase considerably. Without additional loss, this would lead to an EPR value of around $\text{Var}_{A|B}^2 = (0.2)^2 = 0.04$.

In the present work we have shown that balanced homodyne detectors can be locked to a certain quadrature phase precisely enough to measure a conditional variance of just 0.2, see lower trace in Fig. 4. Furthermore, we have also shown that the spatial mode of our entangled field can be aligned to spatially filtered local oscillators in the fundamental Gaussian TEM00 mode with a visibility of 99.5%. From this result we infer that a similar high visibility will be achieved between two squeezed modes as required to generate the envisaged extremely low conditional variance products. In a previous experiment a continuous-wave squeezed field at 1550 nm was coupled into an optical fiber, transmitted, and finally coupled out again in order to measure its nonclassical properties [18]. This shows that one is able to overcome coupling losses and so fiber-based distribution of squeezing is feasible for distances of several kilometers. Furthermore, the result can directly be transferred to the distribution of Gaussian quadrature

entanglement as analyzed here. A possible application is Gaussian quantum key distribution (see, e.g., [24] and references therein).

Simulations show that by replacing the vacuum input with a second squeezed state, key rates around one bit per time bin will be possible. Since squeezed fields with bandwidths above 100 MHz have already been demonstrated [20] quantum key distribution with rates in the 100 Mbit/s regime should be possible with two-mode squeezed states.

ACKNOWLEDGMENTS

This research was supported by the FP 7 project Q-ESSENCE (Grant Agreement No. 248095). T.E. and V.H. thank the IMPRS on Gravitational Wave Astronomy for support. T.F. acknowledges support from DFG under Grant No. WE-1240/12-1.

-
- [1] A. Einstein, B. Podolsky, and N. Rosen, *Phys. Rev.* **47**, 777 (1935).
 - [2] M. D. Reid, *Phys. Rev. A* **40**, 913 (1989).
 - [3] H. M. Wiseman, S. J. Jones, and A. C. Doherty, *Phys. Rev. Lett.* **98**, 140402 (2007).
 - [4] E. G. Cavalcanti, S. J. Jones, H. M. Wiseman, and M. D. Reid, *Phys. Rev. A* **80**, 032112 (2009).
 - [5] Z. Y. Ou, S. F. Pereira, H. J. Kimble, and K. C. Peng, *Phys. Rev. Lett.* **68**, 3663 (1992).
 - [6] Y. Zhang, H. Wang, X. Li, J. Jing, C. Xie, and K. Peng, *Phys. Rev. A* **62**, 023813 (2000).
 - [7] C. Schori, J. L. Sorensen, and E. S. Polzik, *Phys. Rev. A* **66**, 033802 (2002).
 - [8] J. Laurat, T. Coudreau, G. Keller, N. Treps, and C. Fabre, *Phys. Rev. A* **71**, 022313 (2005).
 - [9] G. Keller, V. D'Auria, N. Treps, T. Coudreau, J. Laurat, and C. Fabre, *Opt. Express* **16**, 9351 (2008).
 - [10] W. P. Bowen, R. Schnabel, P. K. Lam, and T. C. Ralph, *Phys. Rev. Lett.* **90**, 043601 (2003).
 - [11] N. Takei, N. Lee, D. Moriyama, J. S. Neergaard-Nielsen, and A. Furusawa, *Phys. Rev. A* **74**, 060101(R) (2006).
 - [12] C. Silberhorn, P. K. Lam, O. Weiß, F. König, N. Korolkova, and G. Leuchs, *Phys. Rev. Lett.* **86**, 4267 (2001).
 - [13] Y. Aharonov, D. Falkoff, E. Lerner, and H. Pendleton, *Ann. Phys.* **39**, 498 (1966).
 - [14] P. van Loock and S. L. Braunstein, *Phys. Rev. Lett.* **84**, 3482 (2000).
 - [15] W. P. Bowen, P. K. Lam, and T. C. Ralph, *J. Mod. Opt.* **50**, 801 (2003).
 - [16] J. DiGuglielmo, B. Hage, A. Franzen, J. Fiurášek, and R. Schnabel, *Phys. Rev. A* **76**, 012323 (2007).
 - [17] M. Mehmet, S. Steinlechner, T. Eberle, H. Vahlbruch, A. Thüring, K. Danzmann, and R. Schnabel, *Opt. Lett.* **34**, 1060 (2009).
 - [18] M. Mehmet, T. Eberle, S. Steinlechner, H. Vahlbruch, and R. Schnabel, *Opt. Lett.* **35**, 1665 (2010).
 - [19] H. Vahlbruch, M. Mehmet, S. Chelkowski, B. Hage, A. Franzen, N. Lastzka, S. Gößler, K. Danzmann, and R. Schnabel, *Phys. Rev. Lett.* **100**, 033602 (2008).
 - [20] M. Mehmet, H. Vahlbruch, N. Lastzka, K. Danzmann, and R. Schnabel, *Phys. Rev. A* **81**, 013814 (2010).
 - [21] T. Eberle, S. Steinlechner, J. Bauchrowitz, V. Händchen, H. Vahlbruch, M. Mehmet, H. Müller-Ebhardt, and R. Schnabel, *Phys. Rev. Lett.* **104**, 251102 (2010).
 - [22] Y. Takeno, M. Yukawa, H. Yonezawa, and A. Furusawa, *Opt. Express* **15**, 4321 (2007).
 - [23] G. Rigolin and C. O. Escobar, *Phys. Rev. A* **69**, 012307 (2004).
 - [24] V. Scarani, H. Bechmann-Pasquinucci, N. J. Cerf, M. Dusek, N. Lütkenhaus, and M. Peev, *Rev. Mod. Phys.* **81**, 1301 (2009).